



## PRODUCT SPECIFICATIONS

### **DXLL** SERIES VARIABLE FREQUENCY DRIVE

Six Pulse | Three-Phase

2 HP to 5 HP

PHASE



## DXLL SERIES

### VARIABLE FREQUENCY DRIVE

Six Pulse | Three-Phase

2 HP to 5 HP



## DXLL SERIES

#### Simple Installation

#### Perfect Pressure™ Programming

- User-friendly constant pressure setup wizard

#### Superior Design

- Rugged all steel enclosure
- NEMA 1
- Made in the USA

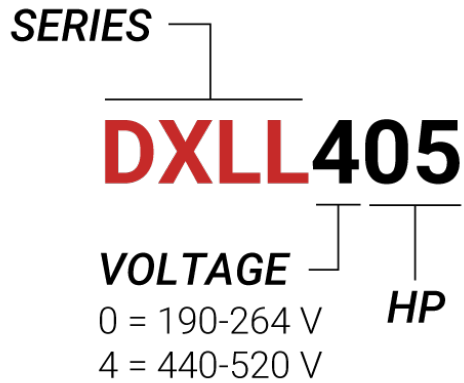
#### Industry Best Lead Times

- Expedite options available

### Table Of Contents

Section	Page #	Section	Page #	Section	Page #
<b>DXLM</b> SERIES Overview .....	2	I/O Specifications.....	4	Optional Accessories.....	6
Nomenclature.....	3	Wiring Diagram.....	5	Fuse Breaker Recommendations.....	6
Technical Specifications .....	3	Models .....	6	Line Drawings.....	7

**Nomenclature**



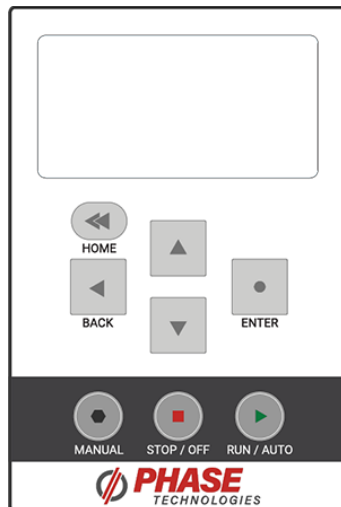
**Technical Specifications**

Physical / Environmental	
Operating Temperature Range	-40 °C – 40 °C (-40 °F – 104 °F) <i>*Heater in enclosure may be required below -40 °C, de-rating required above 40 °C.</i>
Storage Temperature Range	-40 °C – 57 °C (-40 °F – 135 °F)
Enclosure	NEMA Type 1: Indoor
Altitude	Derate by 5 °C every 2000 ft over 5500 ft of elevation
Input Power	
Input Phase	single-phase or three-phase
Input Voltage	230 V   460 V
Input Voltage Range	190 V – 264 V   440 V – 520 V
Input Frequency	50/60 Hz
Output Power	
Output Phase	three-phase
Nominal Output Voltage	230 V   460 V
Output Voltage Range	190 V – 264V   440 V – 520 V
Output Frequency	5 Hz – 120 Hz
Horsepower	2 HP – 5 HP
Output Power	1.5 - 6 kW
Switching Frequency	2 kHz – 5 kHz
Output	V/f Control
Integrated Output Filter	None
Electrical	
Short Circuit Withstand Rating	5 kA RMS symmetrical amps
Efficiency	> 98%
Startup Ramp Time	1 – 120 s
Shutdown Ramp Time	1 – 120 s or Coast to Stop
Overload Capacity	110% for 60 s
Input Filter	No

**Input/Output Specifications**

Analog Inputs	
Quantity	(2) Programmable
Current Reference	4 – 20 mA, (2) Inputs
Voltage Reference	0 – 5 VDC, (1) Input
Terminal Block Size	26 – 12 AWG
Digital Inputs	
Quantity	(2) Programmable
Ratings	< 5 V, galvanically isolated
Terminal Block Size	26 – 12 AWG
Relay Outputs	
Quantity	(2) Programmable
Rating	Relay 1 : 5 VDC, 7 A or 250 VAC Relay 2 : 5 VDC, 7 A or 250 VAC
Terminal Block Size	26 – 12 AWG
Modbus	
Communication	No
Connection Type	N/A
Features	
Certification	ETL listed to UL 61800–5–1 and CSA C22.2 No. 274–17
User Interface	Push button membrane keypad with backlit graphic display
Available Feature Sets	AquaPhase™ (pump control)

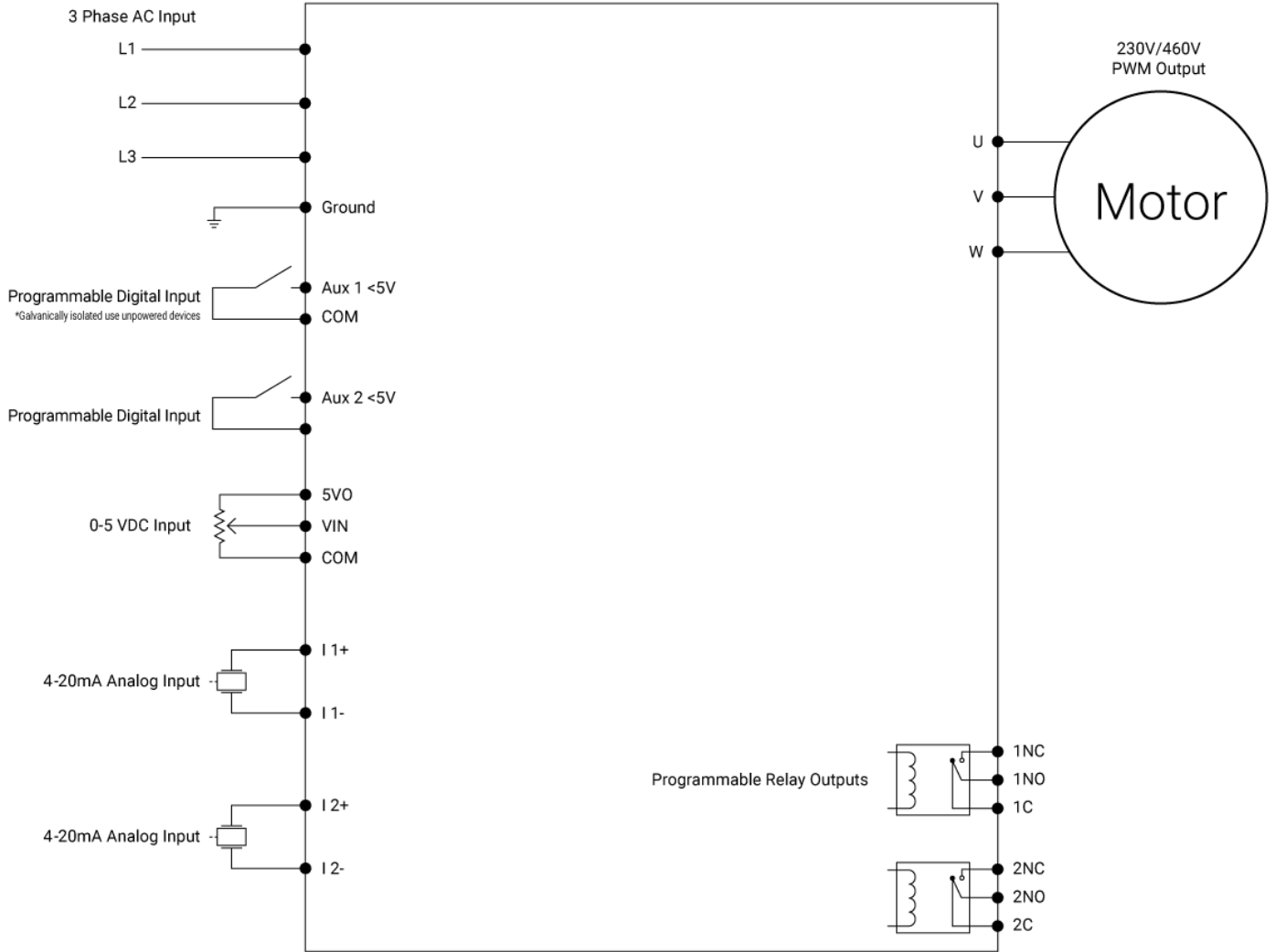
**User Interface**



Eight button keypad and digital display standard on all DXLL models

Wiring Diagram

**DXLL** SERIES *Wiring Diagram*





**Models**

**Single-Phase Input**

Part Number	HP	Rated Input Current	Rated Output Current	Rated Output Current	Dimensions (H x W x D)	Weight
<b>DXLM – 208 V/230 V Input</b> Three-Phase   <b>208 V/230 V Output</b> Three-Phase *Derate by one size for 208 V input.						
DXLL002	2 HP	9 A	9 A	4.5 A	15.1 x 9.1 x 5.6 in.	-
DXLL003	3 HP	12 A	12 A	6 A	15.1 x 9.1 x 5.6 in.	-
DXLL005	5 HP	18 A	18 A	9 A	15.1 x 9.1 x 5.6 in.	-
<b>DXLM – 460 V Input</b> Three-Phase   <b>460 V Output</b> Three-Phase						
DXLL402	2 HP	4 A	4 A	2 A	14.7 x 9.9 x 5.3 in.	-
DXLL403	3 HP	5.4 A	5.4 A	2.7 A	14.7 x 9.9 x 5.3 in.	-
DXLL405	5 HP	9 A	9 A	4.5 A	14.7 x 9.9 x 5.3 in.	-

**Recommended Breaker Sizes**

Model Number	Horsepower	Recommended Fuse Rating Class J	Recommended Circuit Breaker Rating
<b>DXLM – 230 V Input</b> Three-Phase   <b>230 V Input</b> Three-Phase			
DXLL002	2 HP	15 A, 600 V	15 A
DXLL003	3 HP	15 A, 600 V	15 A
DXLL005	5 HP	30 A, 600 V	30 A
<b>DXLM – 460 V Input</b> Three-Phase   <b>460 V Input</b> Three-Phase			
DXLL402	2 HP	15 A, 600 V	15 A
DXLL403	3 HP	15 A, 600 V	15 A
DXLL405	5 HP	15 A, 600 V	15 A

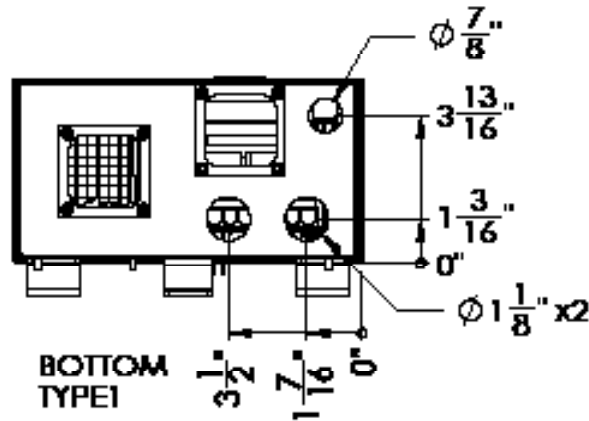
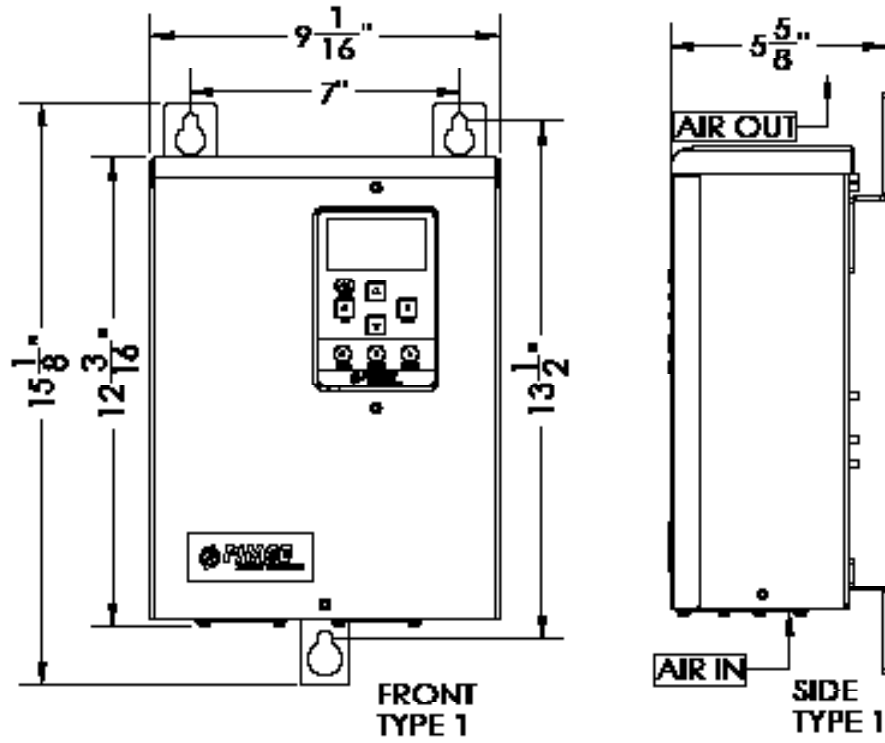


Line Drawings



005

Model Number
DXLL002
DXLL003
DXLL005

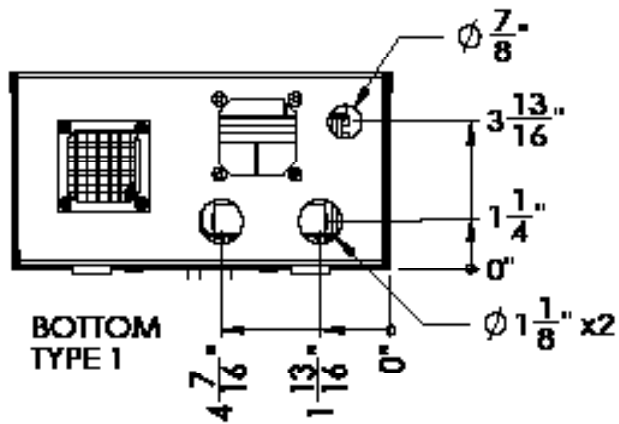
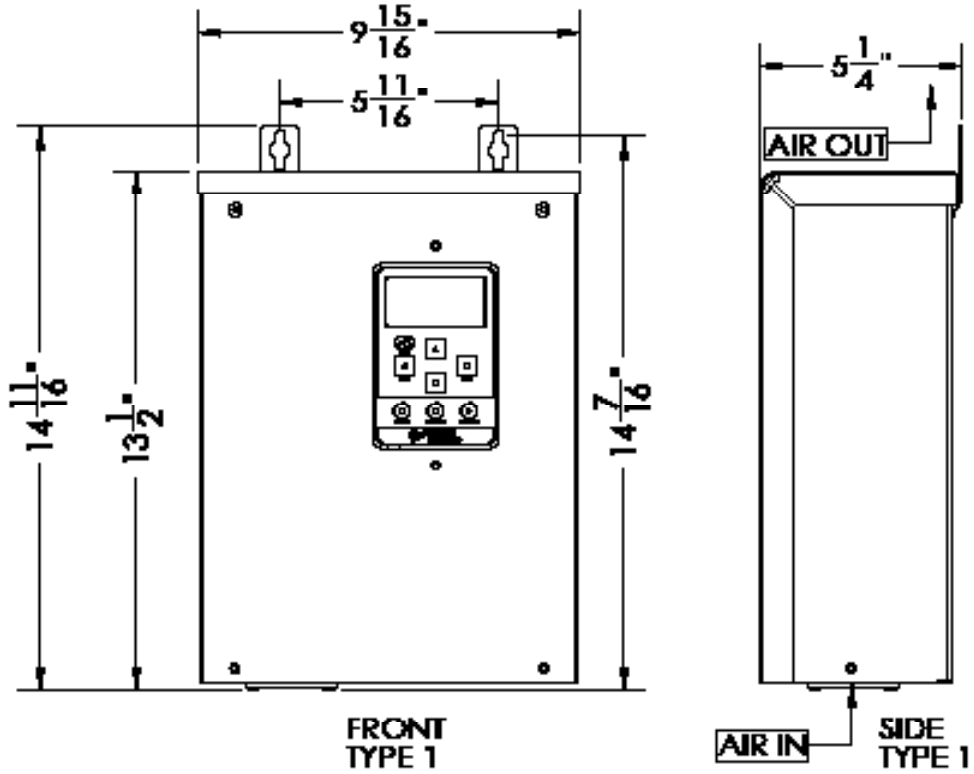


Line Drawings



405

Model Number
DXLL402
DXLL403
DXLL405





**Notes**

---