



PRODUCT SPECIFICATIONS

DX SERIES

VARIABLE FREQUENCY DRIVE

Six Pulse | Three-Phase

5 HP to 450 HP

PHASE



DXSERIES

VARIABLE FREQUENCY DRIVE

Six Pulse | Three-Phase



DX
SERIES

Three-Phase Six Pulse VFDs

- Quick & easy installation and setup

PERFECT PRESSURE™

- Setup constant pressure in minutes
- Large backlit graphic display with intuitive menus
- Messages in clear English

Industry Best Lead Times

- 3-10 Business Days

Fully Featured Drive

- Advanced motor protection & PID control

Sinewave Filter Integration

- Minimize excessive voltage spikes

Superior Heat Rejection

- Maximizing component life and uptime

Table Of Contents

Section	Page #	Section	Page #	Section	Page #
DX SERIES Overview.....	3	SIGNATURE Enclosure.....	13	PERFORMANCE Enclosure	22
• AQUAPHASE™ Feature Set.....	4	• Nomenclature.....	13	• Nomenclature.....	22
ENTERPRISE Enclosure.....	5	• Technical Specifications.....	14	• Technical Specifications.....	23
• Nomenclature.....	5	• Models.....	15	• Models.....	24
• Technical Specifications.....	6	– Optional Accessories.....	16	– Optional Accessories.....	25
• Models.....	7	• Fuse Breaker Recommendations.....	17	• Fuse Breaker Recommendations.....	26
– Optional Accessories	8	• Line Drawings.....	17	• Line Drawings.....	27
• Fuse Breaker Recommendations.....	9	• Wiring Diagram.....	20	• Wiring Diagram.....	30
• Line Drawings.....	10				
• Wiring Diagram.....	11				

Enclosure Overview

ENTERPRISE

See Page 5



5 HP to 50 HP

Phase Technologies' most value driven product to date.

- Compact Design
- Best Value
- Shortest Lead Times (3–5 business days)

SIGNATURE

See Page 13



20 HP to 200 HP

Signature enclosures offer rugged performance & superior quality.

- Slim & Light Design
- Lower Cost
- Shorter Lead Times (3–7 business days)

PERFORMANCE

See Page 21



20 HP to 450 HP

The Performance enclosures offer a large sub-panel with ample space for a multitude of integrated options.

- Rugged
- Spacious
- Simple Equipment Integration
- Lead Times (5–10 business days)

Feature Set



Power Behind The Pump

AQUAPHASE™ feature set provides complete control capability for all pumping applications

DXE
SERIES



ENTERPRISE Enclosure

- 5 HP to 50 HP
- Input | Output – 240 V & 480 V Models
- Three-Phase
- NEMA 3R Rated Outdoor Enclosure

Nomenclature

Model Series	Input / Output Voltage	Rated HP	Enclosure Rating	Branch Circuit Protection	Addl. User Controls	Input Reactor	Output Filter	Surge Protection
DXE SERIES	0 240 V 240 V Three Phase	05 - 5 HP 07 - 7.5 HP 10 - 10 HP 15 - 15 HP 20* - 20 HP 25* - 25 HP 30* - 30 HP	R 3R Rated Outdoor Type Rain / Bug Proof	B MCCB Service Disconnect	Optional User-Installed Choose Option	I Input Reactor Included with: DXE015 DXE020 DXE025 DXE030 DXE430 DXE440 DXE450 <i>Optional with all other models</i>	O Sinewave Filter <i>*Not Available For: DXE020 DXE025 DXE030 DXE440 DXE450</i>	Optional User-Installed Choose Option S - Strikesorb® Surge Protection S1 - Protec® Surge Protection
	4 480 V 480 V Three Phase	05 - 5 HP 07 - 7.5 HP 10 - 10 HP 15 - 15 HP 20 - 20 HP 25 - 25 HP 30 - 30 HP 40* - 40 HP 50* - 50 HP				H - HOA Switch & Speed Pot H1 - HOA Switch Only H2 - Speed Pot Only		

Technical Specifications

Physical / Environmental	
Operating Temperature Range	-40 °C – 50 °C (-40 °F – 122 °F) <i>*Heater in enclosure may be required below -40 °C, de-rating required above 50 °C.</i>
Storage Temperature Range	-40 °C – 57 °C (-40 °F – 135 °F)
Enclosure	NEMA Type 3R: Outdoor Rainproof
Altitude	Derate by 5 °C every 2000 ft over 5500 ft of elevation
Input Power	
Input Phase	3 phase
Input Voltage	240 V 480 V
Input Voltage Range	190 V – 264 V 440 V – 520 V
Input Frequency	60 Hz
Output Power	
Output Phase	3 phase
Nominal Output Voltage	240 V 480 V
Output Voltage Range	190 V – 264V 440 V – 520 V
Output Frequency	5 Hz – 300 Hz
Horsepower	5 HP – 50 HP
Output Power	4 – 37 kW
Switching Frequency	2 kHz – 5 kHz
Output	V/f Control or Torque Control (Optional)
Integrated Output Filter	Optional Sinewave Filter
Electrical	
Short Circuit Withstand Rating	25 kA RMS symmetrical amps (65 kA available upon request)
Efficiency	95%
Startup Ramp Time	1 – 120 s
Shutdown Ramp Time	1 – 120 s or Coast to Stop
Overload Capacity	120% for 60 s
Input Reactor	See nomenclature for availability
Analog Inputs	
Quantity	(3) Programmable
Current Reference	4 – 20 mA, (2) Inputs
Voltage Reference	0 – 5 VDC, (1) Input
Terminal Block Size	26 – 12 AWG
Digital Inputs	
Quantity	(2) Programmable
Ratings	< 5 V, galvanically isolated
Terminal Block Size	26 – 12 AWG
Relay Outputs	
Quantity	(2) Programmable
Rating	Relay 1: 28 VDC, 10 A or 250 VAC, 10 A Relay 2: 30 VDC, 2 A or 125 VAC, 0.5 A
Terminal Block Size	26 – 12 AWG
Features	
Certification	ETL listed to UL 61800-5-1 and CSA C22.2 No. 274-17
User Interface	Push button membrane keypad with backlit graphic display
Available Feature Sets	AquaPhase™ (pump control)

Models

Part Number	HP	Rated Input Current	Rated Output Current <small>[w/ 208 V Input w/ 240 V Input]</small>	Dimensions (H x W x D)	Weight
DXE – ENTERPRISE – 208 V/240 V Input Three-Phase 208 V/240 V* Output Three-Phase					
DXE005R	5 HP	18 A	15 A 18 A	31 x 19 x 19 in.	95 lbs
DXE007R	7.5 HP	24 A	20 A 24 A	31 x 19 x 19 in.	100 lbs
DXE010R	10 HP	31 A	26 A 31 A	36 x 21 x 18 in.	125 lbs
DXE015R	15 HP	46 A	40 A 46 A	36 x 21 x 18 in.	130 lbs
DXE020R	20 HP	61 A	53 A 61 A	36 x 21 x 18 in.	135 lbs
DXE025R	25 HP	75 A	65 A 75 A	36 x 21 x 18 in.	155 lbs
DXE030R	30 HP	91 A	79 A 91 A	36 x 21 x 18 in.	170 lbs

*240 V output only available with 240 V input. 208 V input cannot produce 240 V input

Part Number	HP	Rated Input Current	Rated Output Current 480 V	Dimensions (H x W x D)	Weight
DXE – ENTERPRISE – 480 V Input Three-Phase 480 V Output Three-Phase					
DXE405R	5 HP	9 A	9 A	31 x 19 x 19 in.	95 lbs
DXE407R	7.5 HP	13 A	13 A	31 x 19 x 19 in.	95 lbs
DXE410R	10 HP	18 A	18 A	31 x 19 x 19 in.	95 lbs
DXE415R	15 HP	24 A	24 A	31 x 19 x 19 in.	100 lbs
DXE420R	20 HP	31 A	31 A	36 x 21 x 18 in.	125 lbs
DXE425R	25 HP	38 A	38 A	36 x 21 x 18 in.	130 lbs
DXE430R	30 HP	46 A	46 A	36 x 21 x 18 in.	130 lbs
DXE440R	40 HP	61 A	61 A	36 x 21 x 18 in.	135 lbs
DXE450R	50 HP	77 A	77 A	36 x 21 x 18 in.	160 lbs

Optional Integrations & Accessories

Part Number	Description	Standard User Installation	Optional UL508A Panel Shop Installation <i>(Additional Fee Applies)</i>
Kits			
KIT E H	HOA Switch & Speed Potentiometer	Yes	Yes
KIT E H1	HOA Switch Only	Yes	Yes
KIT E H2	Speed Potentiometer Only	Yes	Yes
KIT E S 240V 3P	Strikesorb Surge Protection, 240 V, Three-Phase	Yes	Yes
KIT E S 480V 3P	Strikesorb Surge Protection, 480 V, Three-Phase	Yes	Yes
KIT E S1 240V 3P	Protec Surge Protection	Yes	Yes
KIT E S1 480V 3P	Protec Surge Protection	Yes	Yes
Transducer			
S00150	0–150 psi Transducer with 15ft lead	Yes	No
S00150–25	0–150 psi Transducer with 25ft lead	Yes	No
S00150–50	0–150 psi Transducer with 50ft lead	Yes	No
S00150–100	0–150 psi Transducer with 100ft lead	Yes	No
Other Parts			
PSI SNUB	Pressure Snubber for Transducers	Yes	No
CVR0002	Keypad Locking Security Cover ENTERPRISE Enclosures	Yes	No
CVR0001	HOA Switch and Speed Pot Security Cover	Yes	No
LF0018	GPS Output Filter	Yes	No
Miscellaneous			
[Custom]	Run or Fault Indicator Light and 150VA Power Supply	No	Yes
[Custom]	Additional Run or Fault Indicator Light	No	Yes



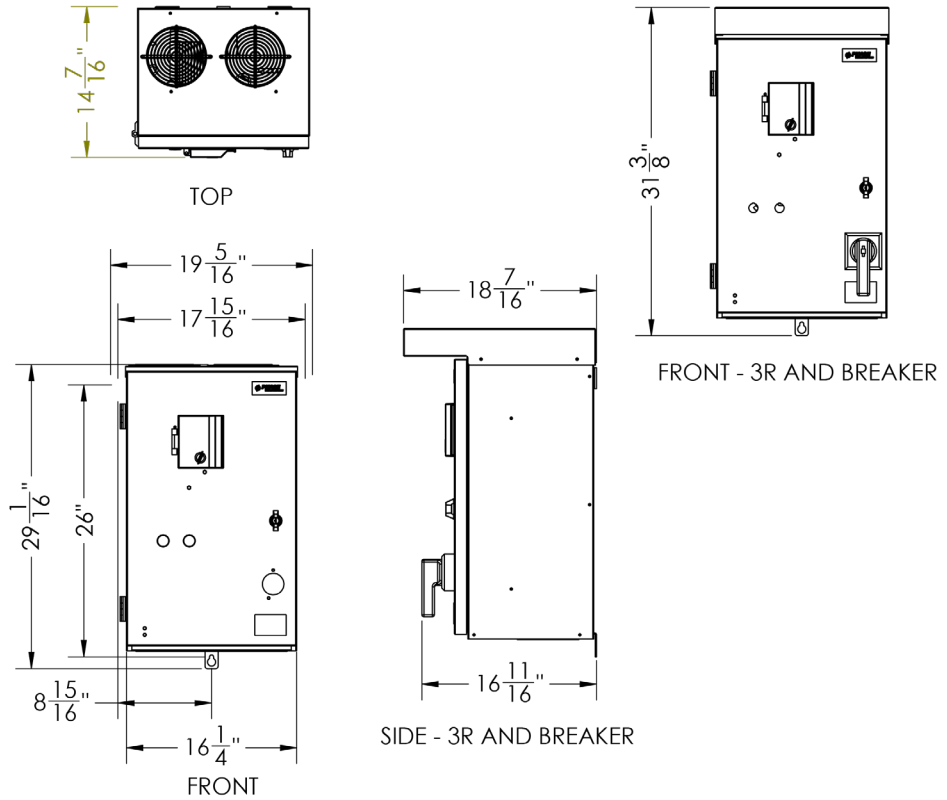
Recommended Fuse & Breaker Ratings

Model Number	Horsepower	VFD	
		Recommended Fuse Rating Class J	Recommended Circuit Breaker Rating
DXE – ENTERPRISE – 208 V/240 V Input Three-Phase 208 V/240 V Output Three-Phase			
DXE005R	5 HP	30 A, 600 V	30 A
DXE007R	7.5 HP	30 A, 600 V	30 A
DXE010R	10 HP	40 A, 600 V	40 A
DXE015R	15 HP	60 A, 600 V	60 A
DXE020R	20 HP	80 A, 600 V	80 A
DXE025R	25 HP	100 A, 600 V	100 A
DXE030R	30 HP	125 A, 600 V	125 A
DXE – ENTERPRISE – 480 V Input Three-Phase 480 V Input Three-Phase			
DXE405R	5 HP	20 A, 600 V	20 A
DXE407R	7.5 HP	20 A, 600 V	20 A
DXE410R	10 HP	30 A, 600 V	30 A
DXE415R	15 HP	30 A, 600 V	30 A
DXE420R	20 HP	40 A, 600 V	40 A
DXE425R	25 HP	50 A, 600 V	50 A
DXE430R	30 HP	60 A, 600 V	60 A
DXE440R	40 HP	80 A, 600 V	80 A
DXE450R	50 HP	100 A, 600 V	100 A

Line Drawings

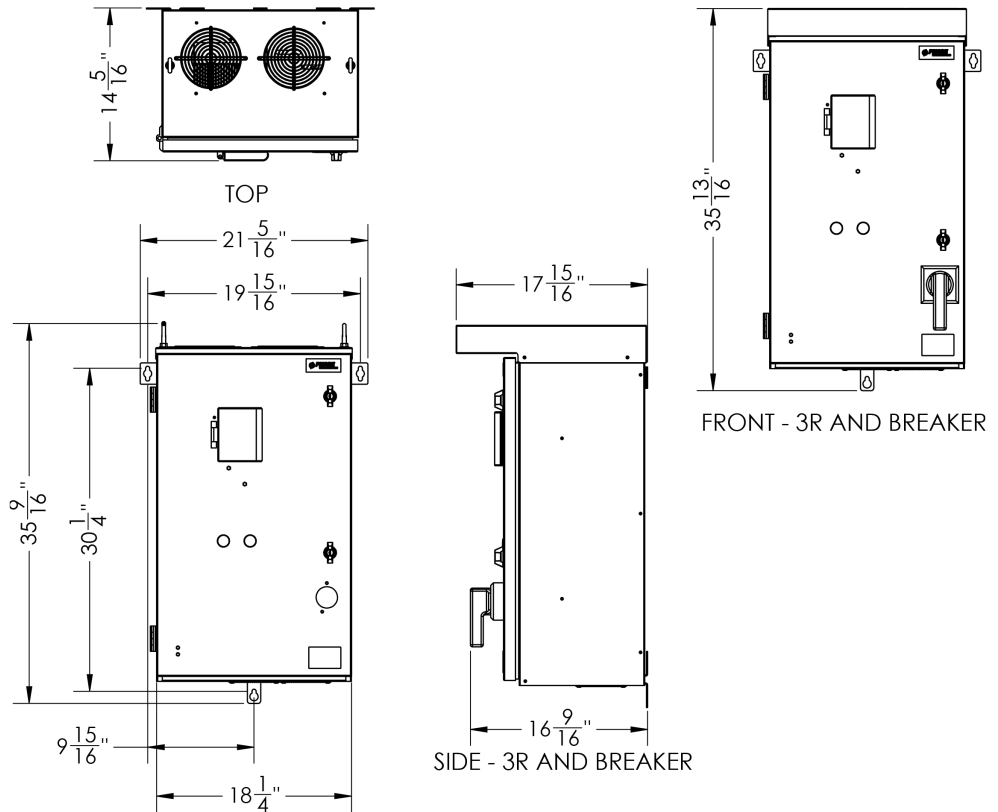
DXE
SERIES

Model Number
DXE005R
DXE007R
DXE405R
DXE407R
DXE410R
DXE415R



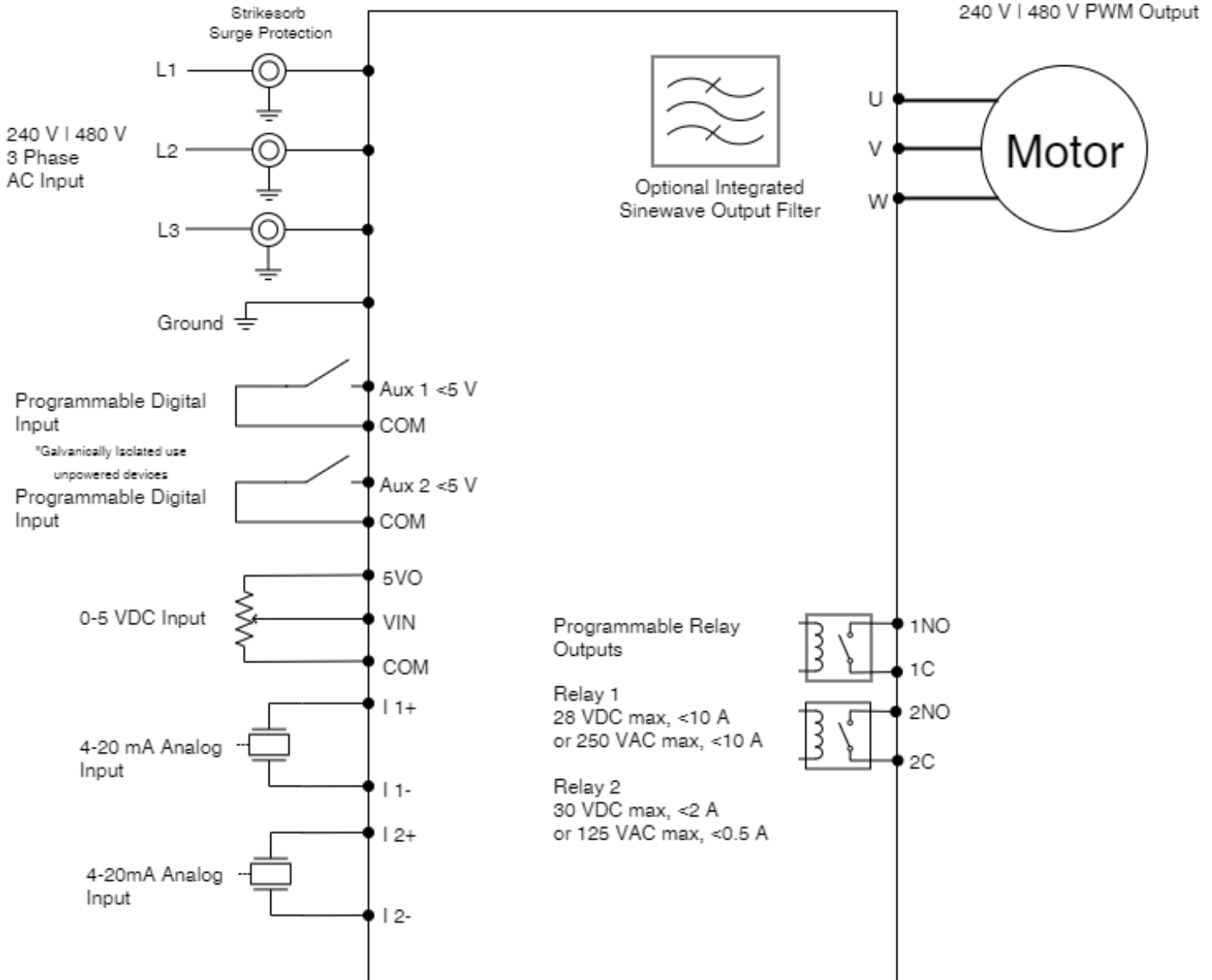
DXE
SERIES

Model Number
DXE010R
DXE015R
DXE020R
DXE025R
DXE030R
DXE420R
DXE425R
DXE430R
DXE440R
DXE450R



Wiring Diagram

DXE
SERIES
Wiring Diagram



Notes



DXS
SERIES

SIGNATURE Enclosure

- 20 HP to 200 HP
- Input | Output – 480 V | 480 V Models
- Three-Phase
- NEMA 3R Rated Outdoor Enclosure

Nomenclature

SIGNATURE		Example Part Number DXS420R-BHOS		Input Reactor (Included)	Optional UL508A Panel Shop Integrated Options			
Model Series	Input / Output Voltage	Rated HP	Enclosure Rating	—	Branch Circuit Protection	Addl. User Controls	Output Filter	Surge Protection
DXS SERIES	4 480 V 480 V Three Phase	20 - 20 HP	R 3R Rated Outdoor Type Rain / Bug Proof	—	B MCCB Service Disconnect	Choose Option	Choose Option	S Strikesorb Surge Protection
		30 - 30 HP						
		40 - 40 HP						
		50 - 50 HP						
		60 - 60 HP						
		75 - 75 HP						
		100 - 100 HP						
		125 - 125 HP						
		150 - 150 HP						
		200 - 200 HP						

Technical Specifications



Physical / Environmental	
Operating Temperature Range	-40 °C – 50 °C (-40 °F – 122 °F) <i>*Heater in enclosure may be required below -40 °C, de-rating required above 50 °C.</i>
Storage Temperature Range	-40 °C – 57 °C (-40 °F – 135 °F)
Enclosure	NEMA Type 3R: Outdoor Rainproof
Altitude	Derate by 5 °C every 2000 ft over 5500 ft of elevation
Input Power	
Input Phase	3 phase
Input Voltage	480 V
Input Voltage Range	440 V – 520 V
Input Frequency	60 Hz
Output Power	
Output Phase	3 phase
Nominal Output Voltage	480 V
Output Voltage Range	440 V – 520 V
Output Frequency	5 Hz – 300 Hz
Horsepower	20 HP – 200 HP
Output Power	15 – 150 kW
Switching Frequency	2 kHz – 5 kHz
Output	V/f Control or Torque Control (Optional)
Integrated Output Filter	Optional Sinewave or dV/dt Filter (20 HP – 100 HP models)
Electrical	
Short Circuit Withstand Rating	25 kA RMS symmetrical amps (65 kA available upon request)
Efficiency	95%
Startup Ramp Time	1 – 120 s
Shutdown Ramp Time	1 – 120 s or Coast to Stop
Overload Capacity	120% for 60 s
Input Reactor	Included
Analog Inputs	
Quantity	(3) Programmable
Current Reference	4 – 20 mA, (2) Inputs
Voltage Reference	0 – 5 VDC, (1) Input
Terminal Block Size	26 – 12 AWG
Digital Inputs	
Quantity	(4) Programmable
Ratings	< 5 V, galvanically isolated
Terminal Block Size	26 – 12 AWG
Relay Outputs	
Quantity	(4) Programmable
Rating	Relays 1 and 2: 28 VDC, 10 A or 250 VAC, 10 A Relays 3 and 4: 30 VDC, 2 A or 125 VAC, 0.5 A
Terminal Block Size	26 – 12 AWG
Features	
Certification	ETL listed to UL 61800-5-1 and CSA C22.2 No. 274-17
User Interface	Push button membrane keypad with backlit graphic display
Available Feature Sets	AquaPhase™ (pump control)

Models

Part Number	HP	Rated Input Current	Rated Output Current	Dimensions (H x W x D)	Weight (lbs)
DXS – SIGNATURE – 480 V Input Three-Phase 480 V Input Three-Phase					
DXS420R	20 HP	31 A	31 A	53 x 23 x 18 in.	200 lbs
DXS430R	30 HP	46 A	46 A	53 x 23 x 18 in.	200 lbs
DXS440R	40 HP	61 A	61 A	53 x 23 x 18 in.	215 lbs
DXS450R	50 HP	77 A	77 A	53 x 23 x 18 in.	220 lbs
DXS460R	60 HP	91 A	91 A	62 x 31 x 22 in.	345 lbs
DXS475R	75 HP	107 A	107 A	62 x 31 x 22 in.	350 lbs
DXS4100R	100 HP	142 A	142 A	62 x 31 x 22 in.	360 lbs
DXS4125R	125 HP	172 A	172 A	71 x 34 x 24 in.	440 lbs
DXS4150R	150 HP	198 A	198 A	71 x 34 x 24 in.	450 lbs
DXS4200R	200 HP	250 A	250 A	71 x 34 x 24 in.	500 lbs



Optional Integrations & Accessories

Part Number	Description	Standard User Installation	Optional UL508A Panel Shop Installation
Kits			
ASPD013	Three-Phase Strikesorb Surge Protection Kit	n/a	n/a
SVK7000	Service Kit for All LH & DX Systems with RJ45 Connectors <i>(Signature & Performance Enclosures Only – 2018, 2019, 2020 models)</i>	n/a	n/a
LEGS07 or LEGS08	Pad Mount Kit / Legs	Yes	No
Transducer			
S00150	0–150 psi Transducer with 15ft lead	Yes	No
S00150–25	0–150 psi Transducer with 25ft lead	Yes	No
S00150–50	0–150 psi Transducer with 50ft lead	Yes	No
S00150–100	0–150 psi Transducer with 100ft lead	Yes	No
Other Parts			
PSI SNUB	Pressure Snubber for Transducers	Yes	No
CVR0001	HOA Switch and Speed Pot Security Cover	Yes	No
LF0018	GPS Output Filter	Yes	No
Miscellaneous			
[Custom]	Run or Fault Indicator Light and 150VA Power Supply	No	Yes
[Custom]	Additional Run or Fault Indicator Light	No	Yes

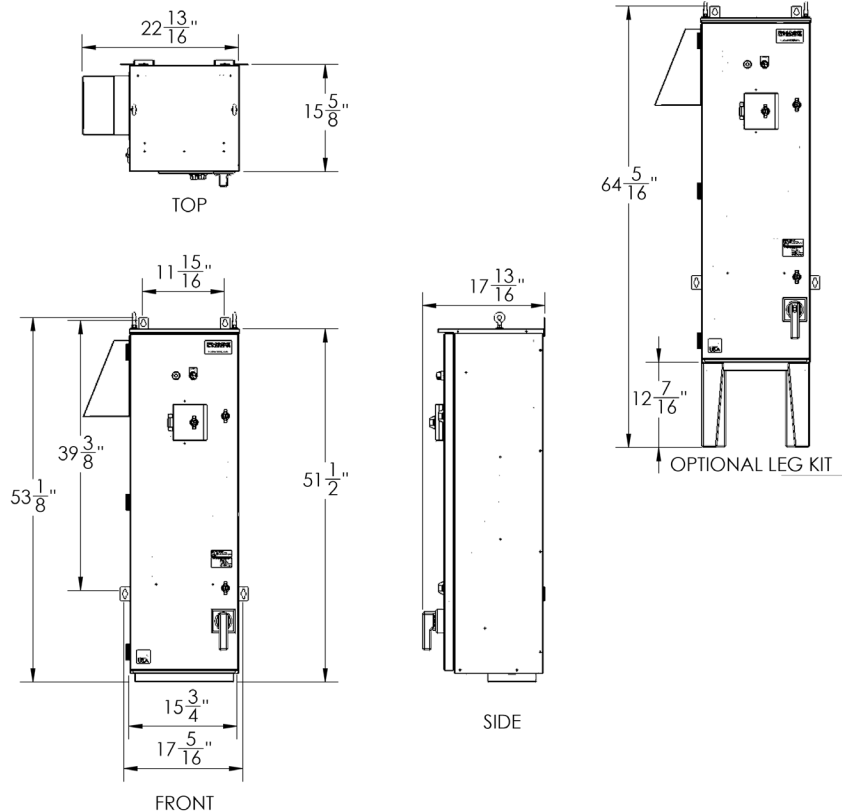
Recommended Fuse & Breaker Ratings

Model Number	Horsepower	VFD	
		Recommended Fuse Rating Class J	Recommended Circuit Breaker Rating
DXS – SIGNATURE – 480 V Input Three-Phase 480 V Input Three-Phase			
DXS420R	20 HP	40 A, 600 V	40 A
DXS430R	30 HP	60 A, 600 V	60 A
DXS440R	40 HP	80 A, 600 V	80 A
DXS450R	50 HP	100 A, 600 V	100 A
DXS460R	60 HP	125 A, 600 V	125 A
DXS475R	75 HP	150 A, 600 V	150 A
DXS4100R	100 HP	200 A, 600 V	200 A
DXS4125R	125 HP	225 A, 600V	225 A
DXS4150R	150 HP	250 A, 600 V	250 A
DXS4200R	200 HP	350 A, 600 V	350 A

Line Drawings

DXS
SERIES

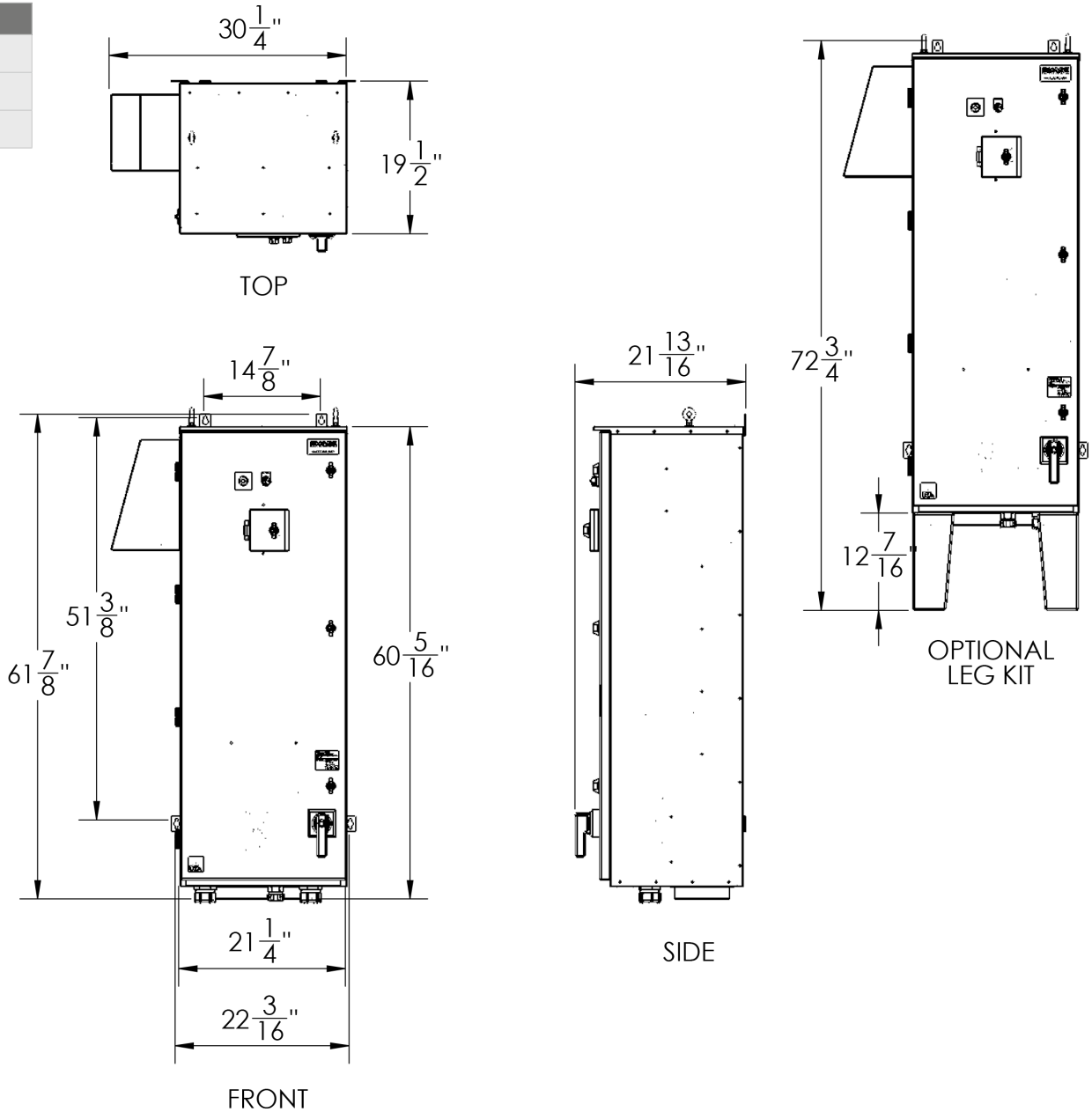
Model Number
DXS420R
DXS430R
DXS440R
DXS450R



Line Drawings

DXS
SERIES

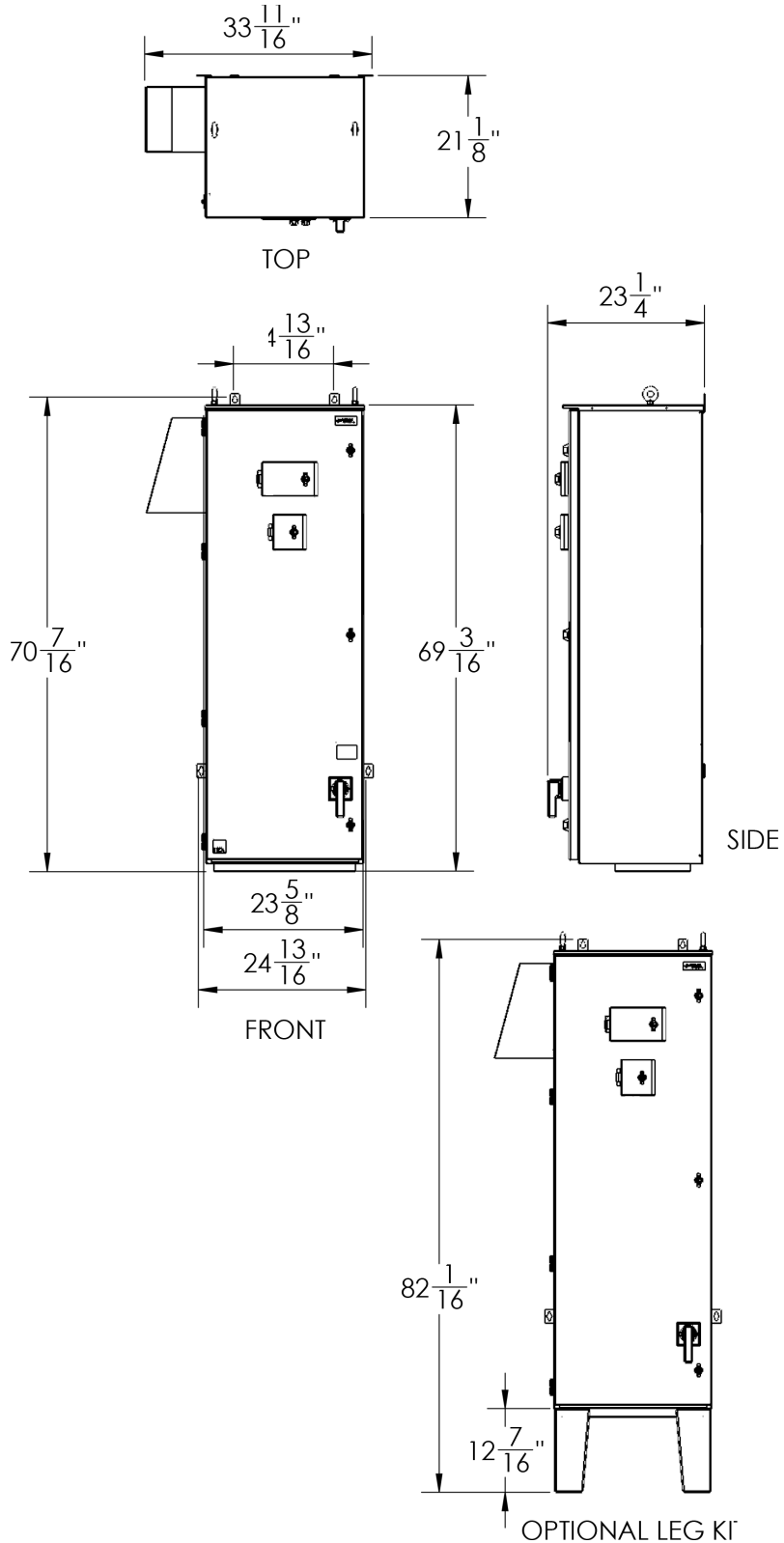
Model Number
DXS460R
DXS475R
DXS4100R



Line Drawings

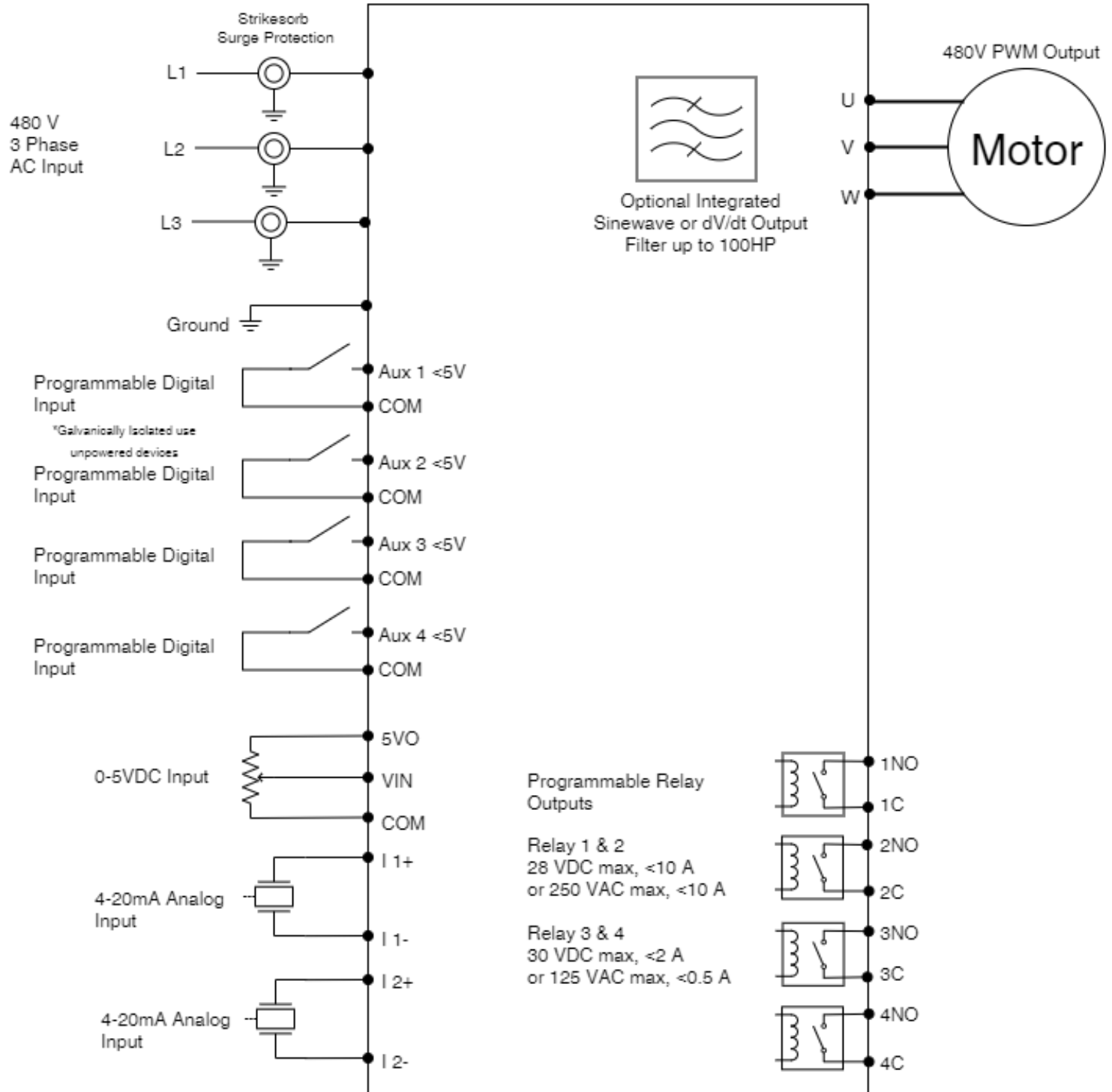
DXS
SERIES

Model Number
DXS4125R
DXS4150R
DXS4200R



Wiring Diagram

DXS
SERIES Wiring Diagram



SIGNATURE

Notes

DX
SERIES



PERFORMANCE Enclosure

- 20 HP to 450 HP
- Input | Output – 480 V | 480 V Models
- Three-Phase
- NEMA 3R Rated Outdoor Enclosure

Nomenclature

PERFORMANCE		UL508A Panel Shop Integrated Options							
Model Series	Input / Output Voltage	Rated HP	Enclosure Rating	Branch Circuit Protection	Addl. User Controls	Output Filter	System Bypass	Surge Protection	
DX SERIES	4 480 V 480 V Three Phase	20 - 20 HP	R 3R Rated Outdoor Type Rain / Bug Proof	B MCCB Service Disconnect	Choose Option H - HOA Switch & Speed Pot H1 - HOA Switch Only H2 - Speed Pot Only	Choose Option O - Sinewave Filter OF - dV/dt Filter <small>Not Available In Models Over 100HP</small>	Q System Bypass <small>Includes MCCB Service Disconnect (Do not add B if adding Q)</small>	S Strikesorb Surge Protection	
		30 - 30 HP							
		40 - 40 HP							
		50 - 50 HP							
		60 - 60 HP							
		75 - 75 HP							
		100 - 100 HP							
		125 - 125 HP							
		150 - 150 HP							
		200 - 200 HP							
		250 - 250 HP							
		300 - 300 HP							
		350 - 350 HP							
400 - 400 HP									
450 - 450 HP									

Example Part Number
DX420R-BHOQS

Technical Specifications

PERFORMANCE

Physical / Environmental	
Operating Temperature Range	-40 °C – 50 °C (-40 °F – 122 °F) <i>*Heater in enclosure may be required below -40 °C, de-rating required above 50 °C.</i>
Storage Temperature Range	-40 °C – 57 °C (-40 °F – 135 °F)
Enclosure	NEMA Type 3R: Outdoor Rainproof
Altitude	Derate by 5 °C every 2000 ft over 5500 ft of elevation
Input Power	
Input Phase	3 phase
Input Voltage	480 V
Input Voltage Range	440 V – 520 V
Input Frequency	60 Hz
Output Power	
Output Phase	3 phase
Nominal Output Voltage	480 V
Output Voltage Range	440 V – 520 V
Output Frequency	5 Hz – 300 Hz
Horsepower	20 HP – 450 HP
Output Power	15 – 336 kW
Switching Frequency	2 kHz – 5 kHz
Output	V/f Control or Torque Control (Optional)
Integrated Output Filter	Optional Sinewave or dV/dt Filter (20 HP – 100 HP models)
Electrical	
Short Circuit Withstand Rating	25 kA RMS symmetrical amps (65 kA available upon request)
Efficiency	95%
Startup Ramp Time	1 – 120 s
Shutdown Ramp Time	1 – 120 s or Coast to Stop
Overload Capacity	120% for 60 s
Input Reactor	Included
Analog Inputs	
Quantity	(3) Programmable
Current Reference	4 – 20 mA, (2) Inputs
Voltage Reference	0 – 5 VDC, (1) Input
Terminal Block Size	26 – 12 AWG
Digital Inputs	
Quantity	(4) Programmable
Ratings	< 5 V, galvanically isolated
Terminal Block Size	26 – 12 AWG
Relay Outputs	
Quantity	(4) Programmable
Rating	Relays 1 and 2: 28 VDC, 10 A or 250 VAC, 10 A Relays 3 and 4: 30 VDC, 2 A or 125 VAC, 0.5 A
Terminal Block Size	26 – 12 AWG
Features	
Certification	ETL listed to UL 61800-5-1 and CSA C22.2 No. 274-17
User Interface	Push button membrane keypad with backlit graphic display
Available Feature Sets	AquaPhase™ (pump control)

Models

Part Number	HP	Rated Input Current	Rated Output Current	Dimensions (H x W x D)	Weight (lbs)
DX – PERFORMANCE – 480 V Input Three-Phase 480 V Input Three-Phase					
DX420R	20 HP	31 A	31 A	54 x 39 x 20 in	420 lbs
DX430R	30 HP	46 A	46 A	54 x 39 x 20 in	445 lbs
DX440R	40 HP	61 A	61 A	54 x 39 x 20 in	450 lbs
DX450R	50 HP	77 A	77 A	54 x 39 x 20 in	455 lbs
DX460R	60 HP	91 A	91 A	61 x 46 x 22 in	605 lbs
DX475R	75 HP	107 A	107 A	61 x 46 x 22 in	615 lbs
DX4100R	100 HP	142 A	142 A	61 x 46 x 22 in	635 lbs
DX4125R	125 HP	172 A	172 A	63 x 60 x 23 in	800 lbs
DX4150R	150 HP	198 A	198 A	63 x 60 x 23 in	805 lbs
DX4200R	200 HP	250 A	250 A	63 x 60 x 23 in	910 lbs
DX4250R	250 HP	304 A	304 A	63 x 60 x 23 in	925 lbs
DX4300R	300 HP	362 A	362 A	63 x 60 x 23 in	930 lbs
DX4350R	350 HP	415 A	415 A	63 x 60 x 23 in	1100 lbs
DX4400R	400 HP	478 A	478 A	63 x 60 x 23 in	1240 lbs
DX4450R	450 HP	515 A	515 A	63 x 60 x 23 in	1290 lbs

Optional Integrations & Accessories

Part Number	Description	Standard User Installation	Optional UL508A Panel Shop Installation
Kits			
ASPD013	Three-Phase Strikesorb Surge Protection Kit	n/a	n/a
SVK7000	Service Kit for All LH & DX Systems with RJ45 Connectors <i>(Signature & Performance Enclosures Only – 2018, 2019, 2020 models)</i>	n/a	n/a
LEGS07 or LEGS08	Pad Mount Kit / Legs	Yes	No
Transducer			
S00150	0–150 psi Transducer with 15ft lead	Yes	No
S00150–25	0–150 psi Transducer with 25ft lead	Yes	No
S00150–50	0–150 psi Transducer with 50ft lead	Yes	No
S00150–100	0–150 psi Transducer with 100ft lead	Yes	No
Other Parts			
PSI SNUB	Pressure Snubber for Transducers	Yes	No
CVR0001	HOA Switch and Speed Pot Security Cover	Yes	No
LF0018	GPS Output Filter	Yes	No
Miscellaneous			
[Custom]	Run or Fault Indicator Light and 150VA Power Supply	No	Yes
[Custom]	Additional Run or Fault Indicator Light	No	Yes

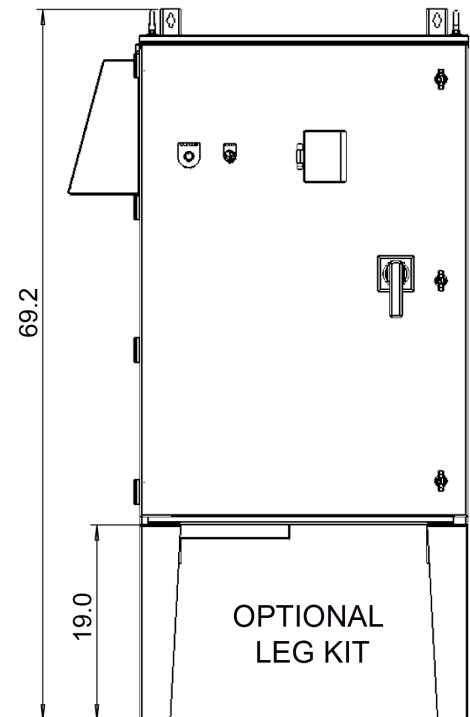
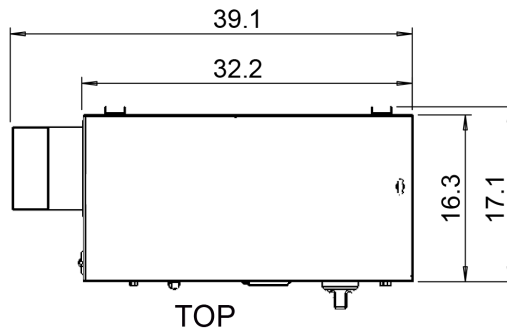
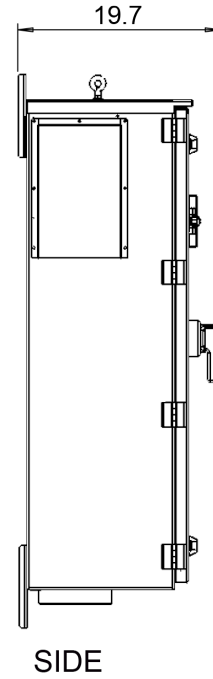
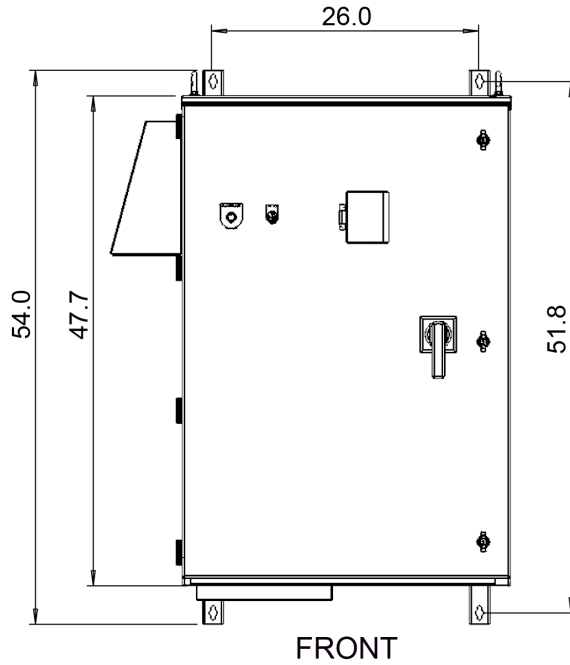
Recommended Fuse & Breaker Ratings

Model Number	Horsepower	VFD		VFD With Bypass (Q) Option
		Recommended Fuse Rating Class J	Recommended Circuit Breaker Rating	Installed Circuit Breaker Rating
DX – PERFORMANCE – 480 V Input Three-Phase 480 V Input Three-Phase				
DX420R	20 HP	40 A, 600 V	40 A	60 A
DX430R	30 HP	60 A, 600 V	60 A	125 A
DX440R	40 HP	80 A, 600 V	80 A	150 A
DX450R	50 HP	100 A, 600 V	100 A	200 A
DX460R	60 HP	125 A, 600 V	125 A	225 A
DX475R	75 HP	150 A, 600 V	150 A	250 A
DX4100R	100 HP	200 A, 600 V	200 A	350 A
DX4125R	125 HP	225 A, 600 V	225 A	400 A
DX4150R	150 HP	250 A, 600 V	250 A	500 A
DX4200R	200 HP	350 A, 600 V	350 A	600 A
DX4250R	250 HP	400 A, 600 V	400 A	800 A
DX4300R	300 HP	500 A, 600 V	500 A	1000 A
DX4350R	350 HP	600 A, 600 V	600 A	1200 A
DX4400R	400 HP	600 A, 600 V	600 A	1200 A
DX4450R	450 HP	700 A, 600 V	700 A	1600 A

Line Drawings

DX
SERIES

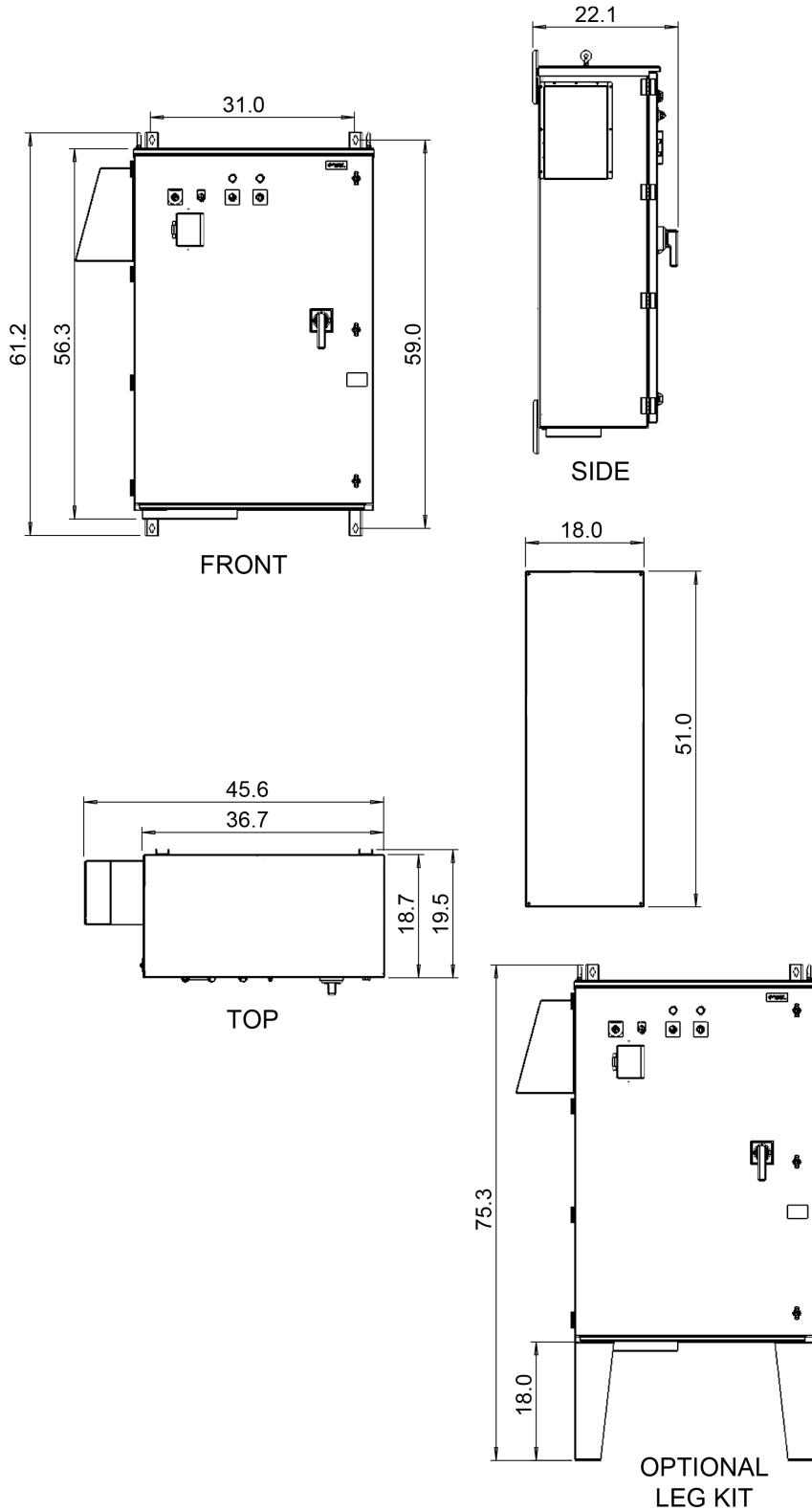
Model Number
DX420R
DX430R
DX440R
DX450R



Line Drawings

DX
SERIES

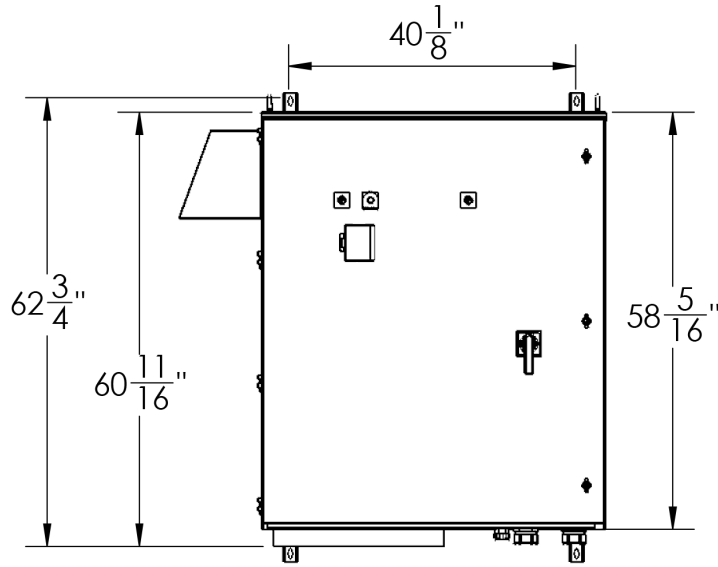
Model Number
DX460R
DX475R
DX4100R



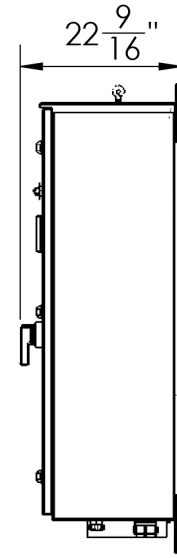
Line Drawings

DX
SERIES

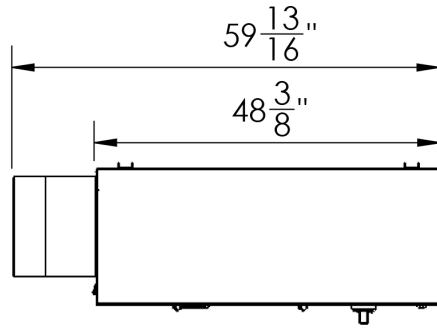
Model Number
DX4125R
DX4150R
DX4200R
DX4250R
DX4300R
DX4350R
DX4400R
DX4450R



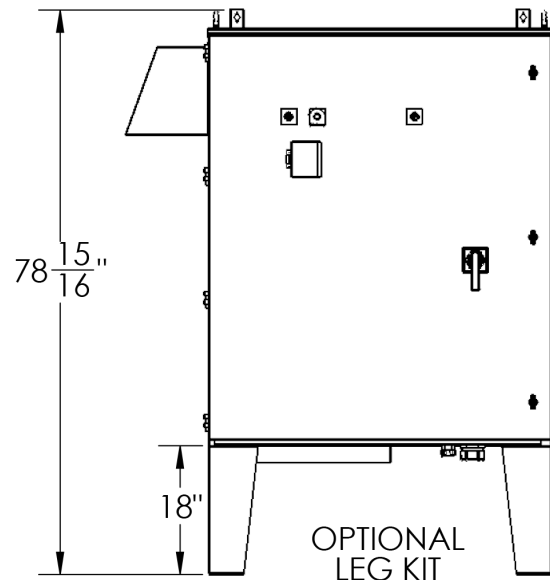
FRONT



SIDE



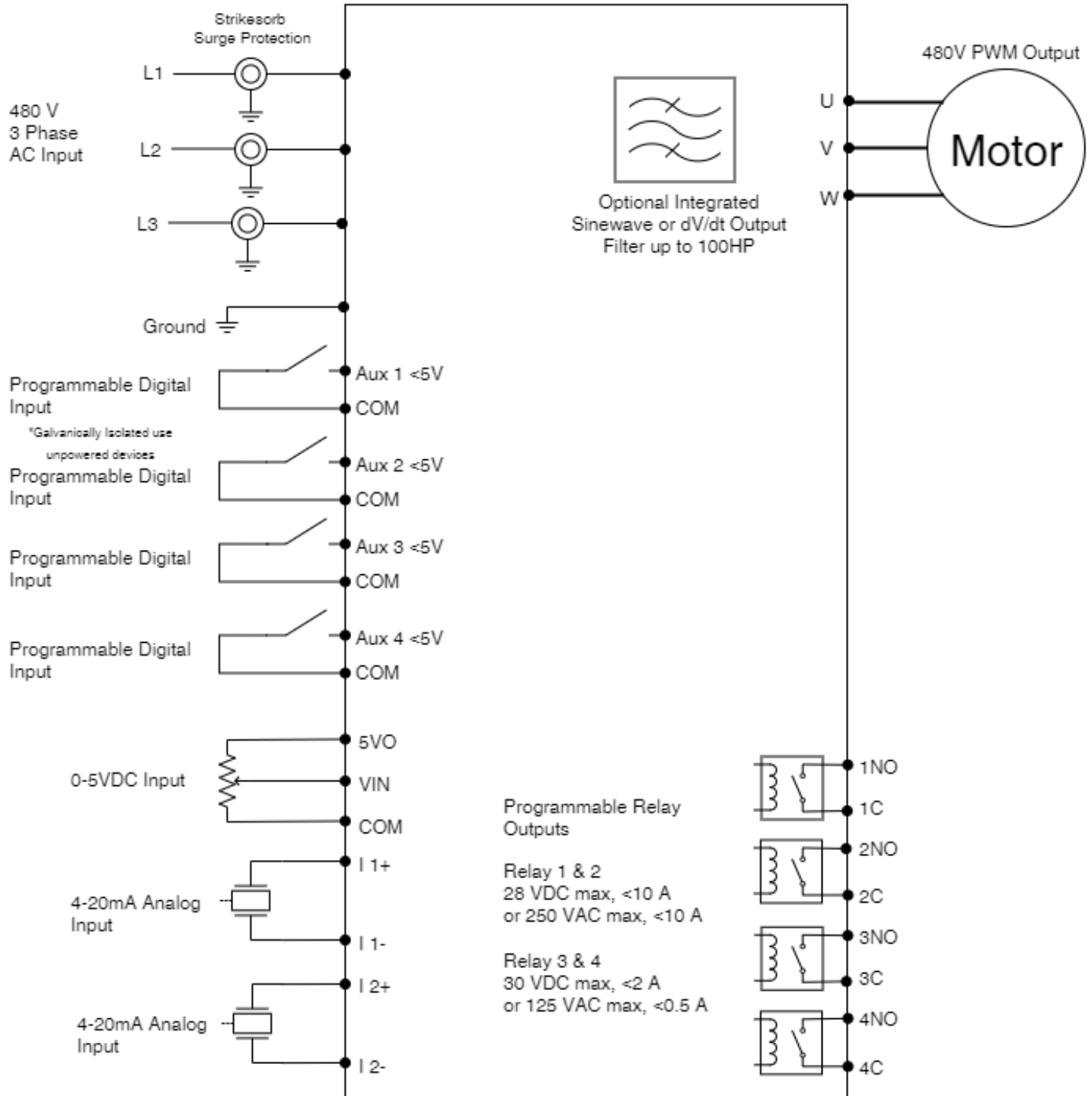
TOP



OPTIONAL
LEG KIT

Wiring Diagram

DX SERIES Wiring Diagram



Notes