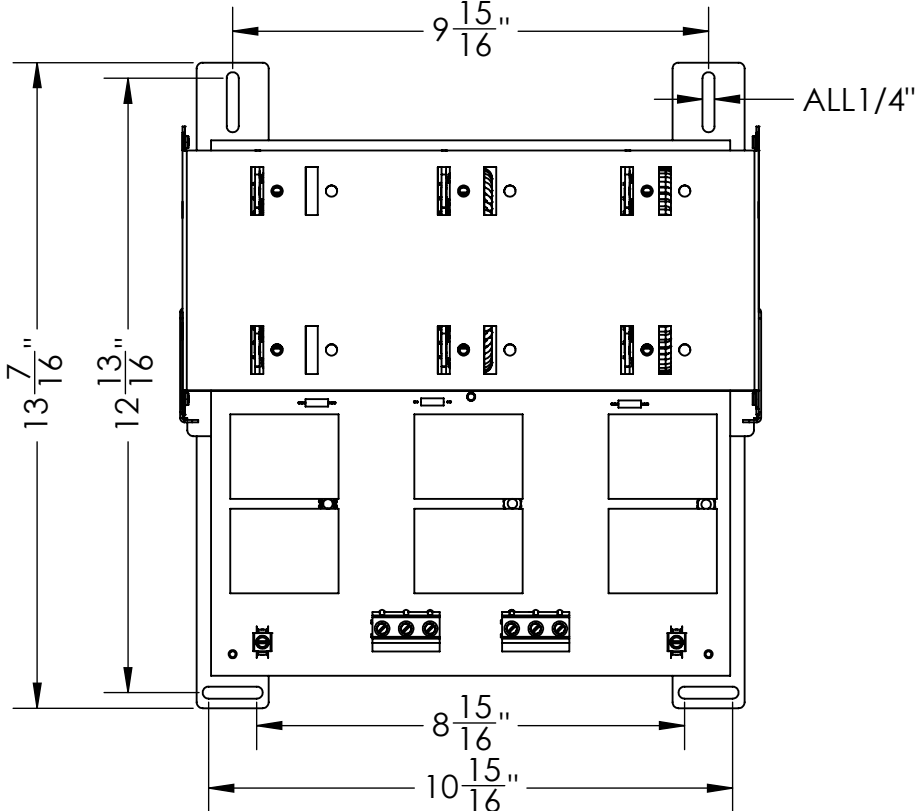
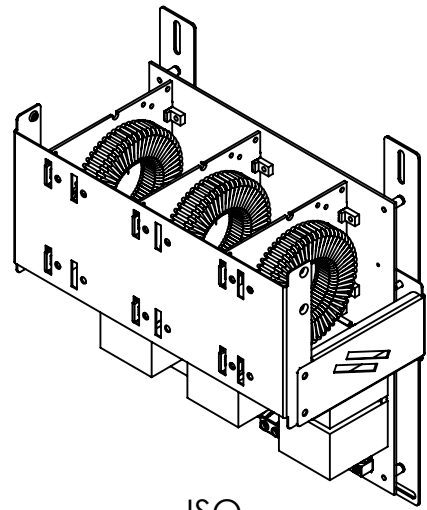


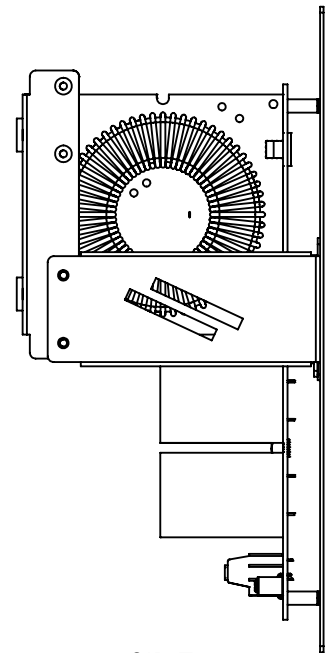
TOP



FRONT

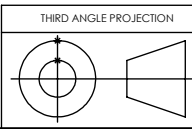


ISO  
SCALE  
1:6



SIDE

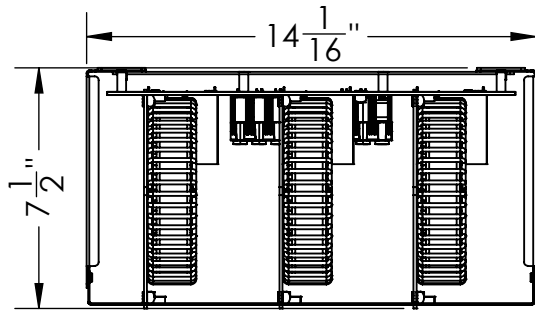
MODELS
SW009E0
SW013E0
SW018E0



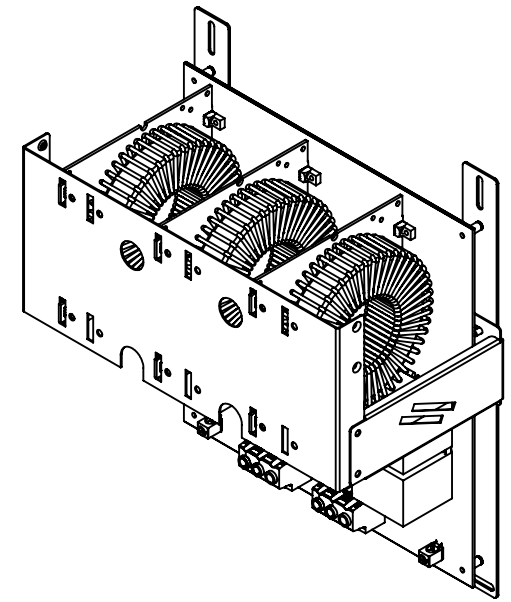
Drawing Title: <b>SINE FILTER A</b>			
Part Number: <b>SEE TABLE</b>		Revision: <b>0</b>	
Material: <b>N/A</b>			
Finish: <b>N/A</b>			
Drawn by: <b>BTD</b>		Checked/Approved by:	
Scale: <b>1:4</b>	Sheet: <b>1 of 1</b>	Date: <b>9/14/2022</b>	Units: <b>IN</b>



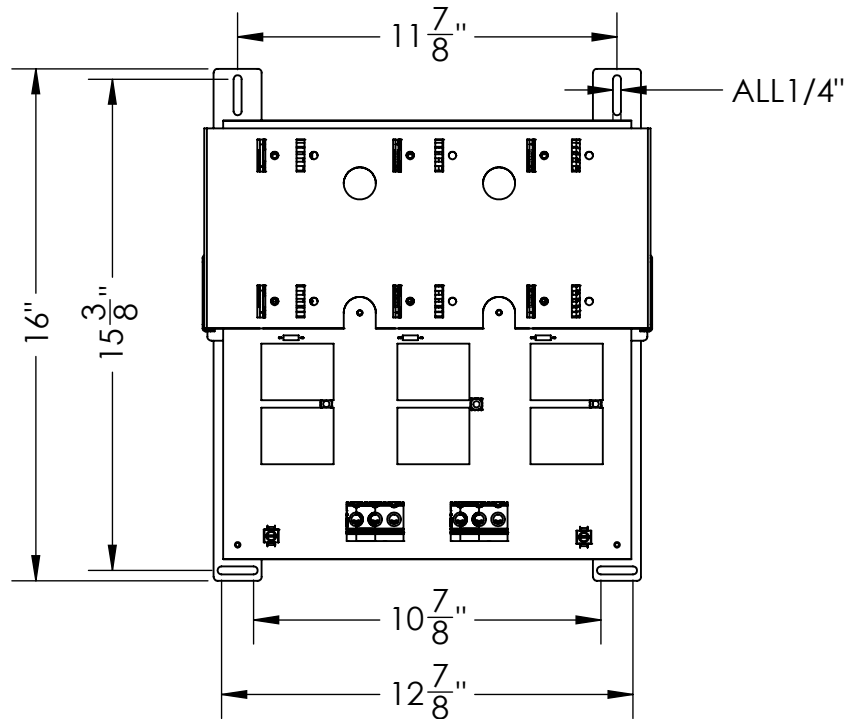
This drawing and any information contained within are the confidential and copyright property of Phase Technologies, LLC © and MUST NOT BE DISCLOSED, COPIED, LOANED in whole or part or used for any purpose without the written permission of Phase Technologies, LLC.



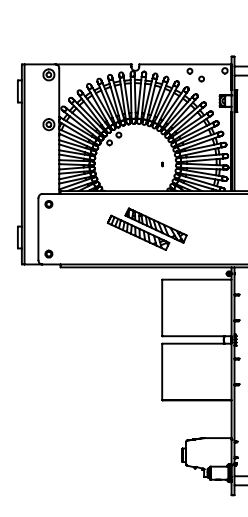
TOP



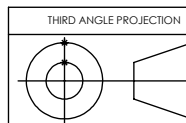
ISO



FRONT




SIDE



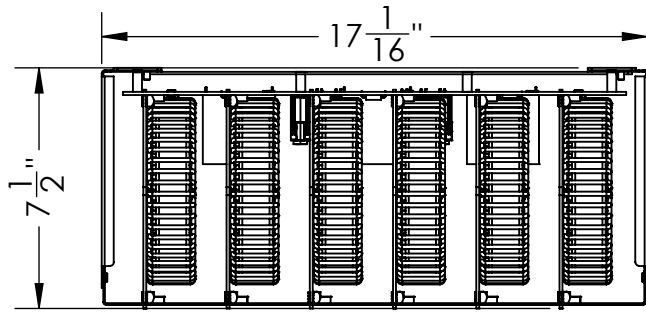
THIRD ANGLE PROJECTION

MODELS
SW031E0
SW045E0

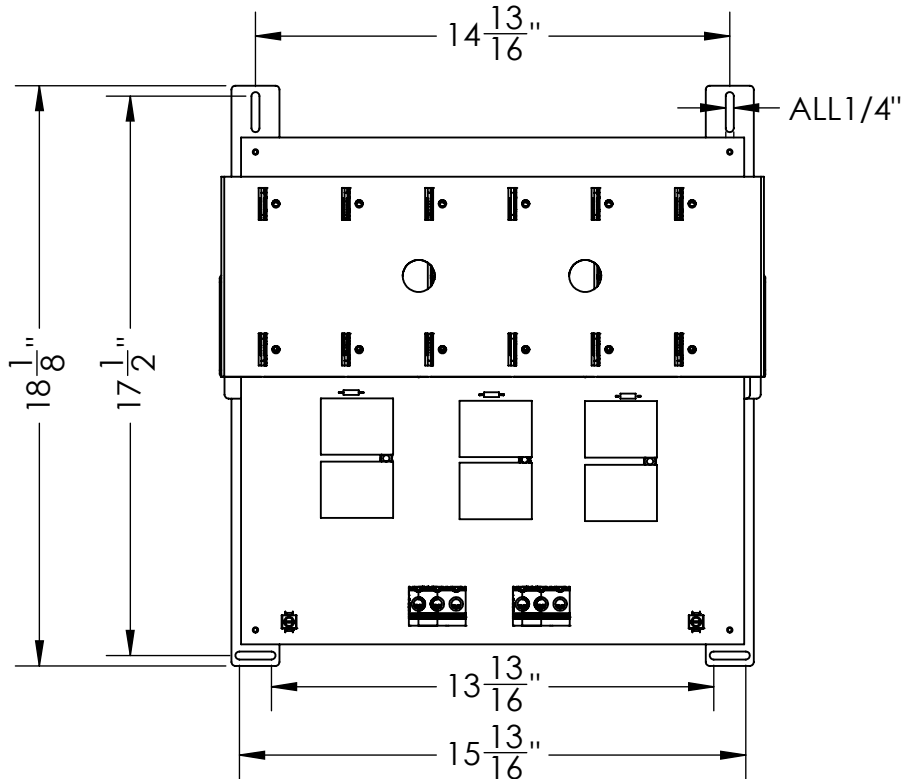
Drawing Title: <b>SINE FILTER B</b>			
Part Number: <b>SEE TABLE</b>		Revision: <b>0</b>	
Material: <b>N/A</b>			
Finish: <b>N/A</b>			
Drawn by: <b>BTD</b>		Checked/Approved by:	
Scale: <b>1:6</b>	Sheet: <b>1 of 1</b>	Date: <b>9/14/2022</b>	Units: <b>IN</b>



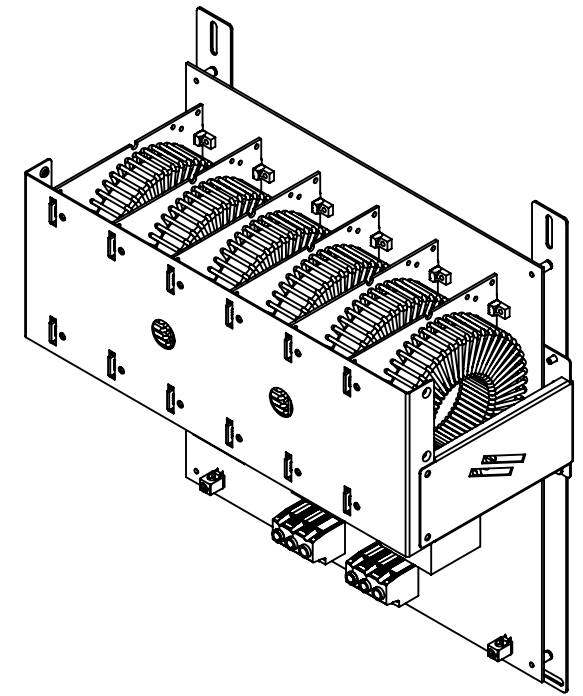
This drawing and any information contained within are the confidential and copyright property of Phase Technologies, LLC © and MUST NOT BE DISCLOSED, COPIED, LOANED in whole or part or used for any purpose without the written permission of Phase Technologies, LLC.



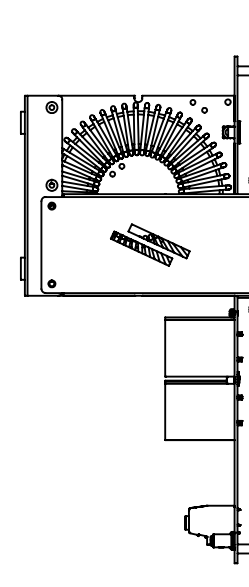
TOP



FRONT

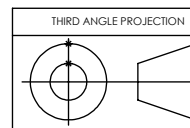


ISO



SIDE

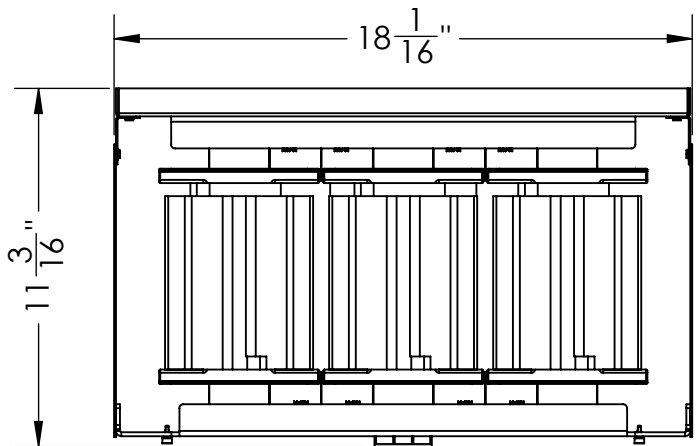
MODELS
SW060E0
SW077E0



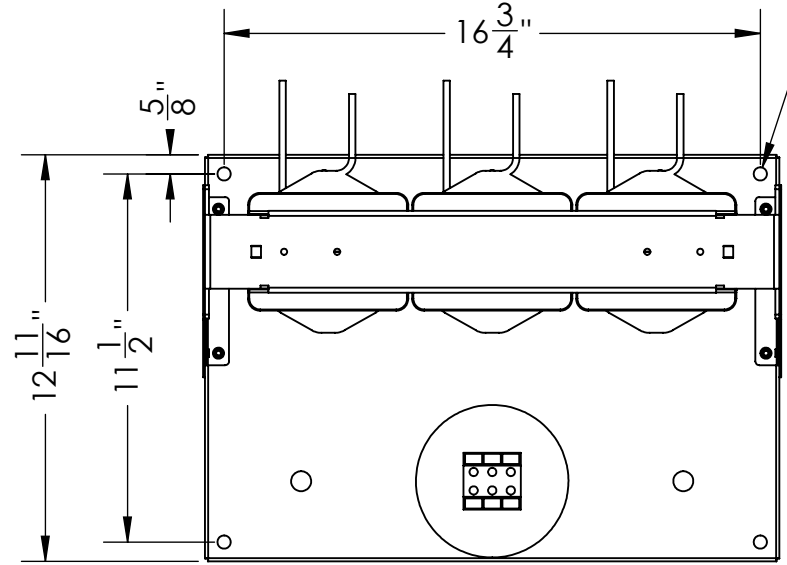
Drawing Title: <b>SINE FILTER C</b>			
Part Number: <b>SEE TABLE</b>		Revision: <b>0</b>	
Material: <b>N/A</b>			
Finish: <b>N/A</b>			
Drawn by: <b>BTD</b>		Checked/Approved by:	
Scale: <b>1:6</b>	Sheet: <b>1 of 1</b>	Date: <b>9/14/2022</b>	Units: <b>IN</b>



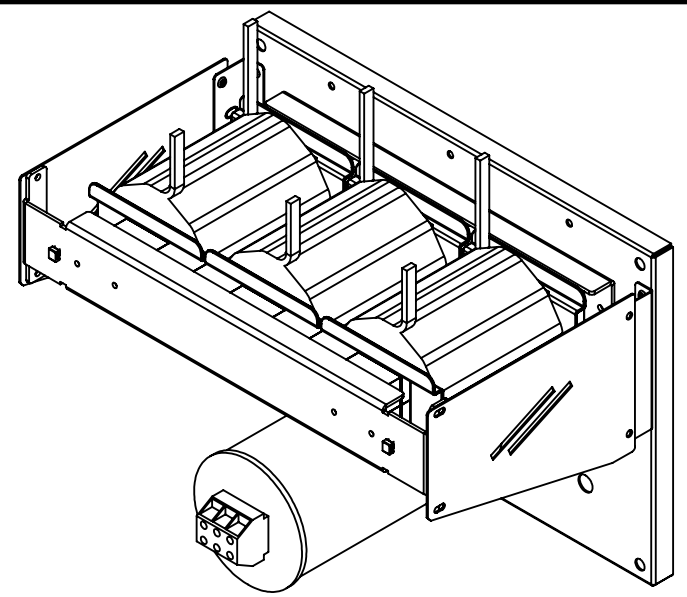
This drawing and any information contained within are the confidential and copyright property of Phase Technologies, LLC © and MUST NOT BE DISCLOSED, COPIED, LOANED in whole or part or used for any purpose without the written permission of Phase Technologies, LLC.



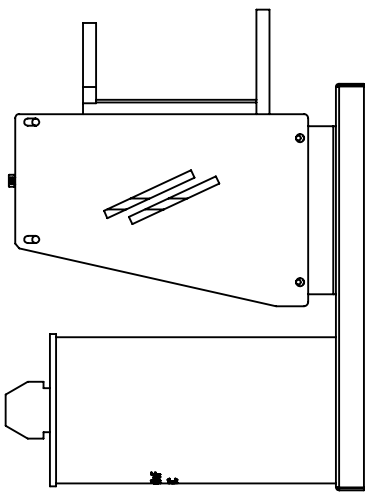
TOP



FRONT

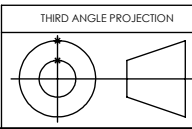


ISO



SIDE

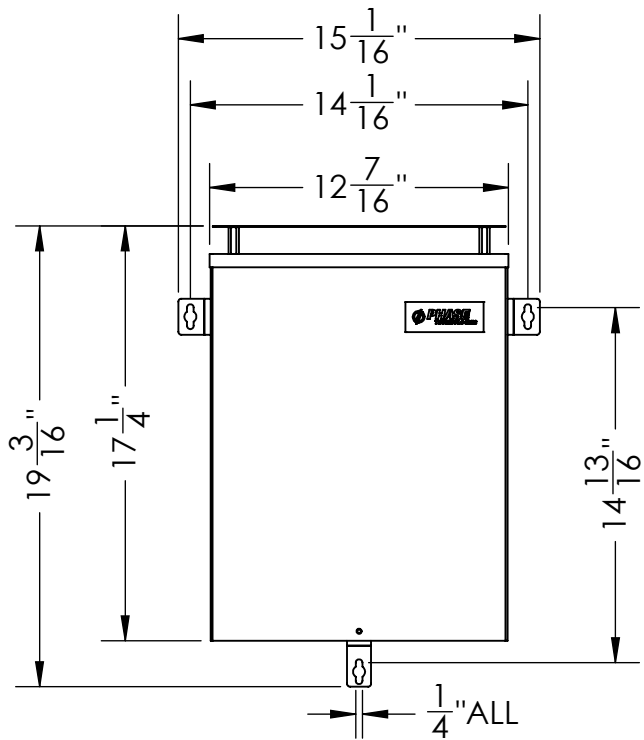
MODELS
SW128E0



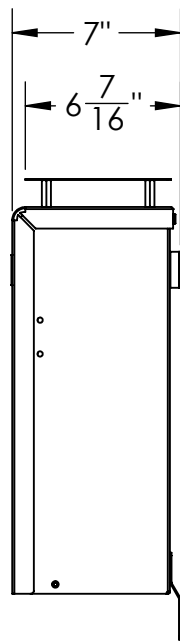
Drawing Title: <b>SINE FILTER D3</b>			
Part Number: <b>SEE TABLE</b>		Revision: <b>0</b>	
Material: <b>N/A</b>			
Finish: <b>N/A</b>			
Drawn by: <b>BTD</b>		Checked/Approved by:	
Scale: <b>1:6</b>	Sheet: <b>1 of 1</b>	Date: <b>9/14/2022</b>	Units: <b>IN</b>



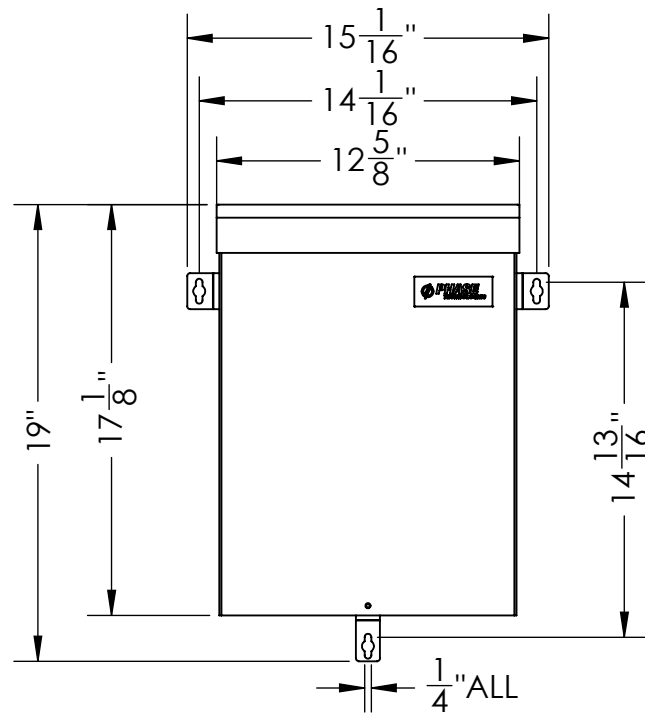
This drawing and any information contained within are the confidential and copyright property of Phase Technologies, LLC © and MUST NOT BE DISCLOSED, COPIED, LOANED in whole or part or used for any purpose without the written permission of Phase Technologies, LLC.



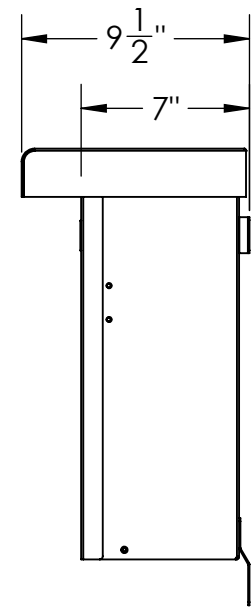
FRONT  
TYPE 1



SIDE  
TYPE 1



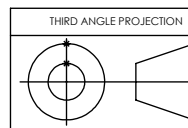
FRONT  
TYPE 3R



SIDE  
TYPE 3R

MODELS

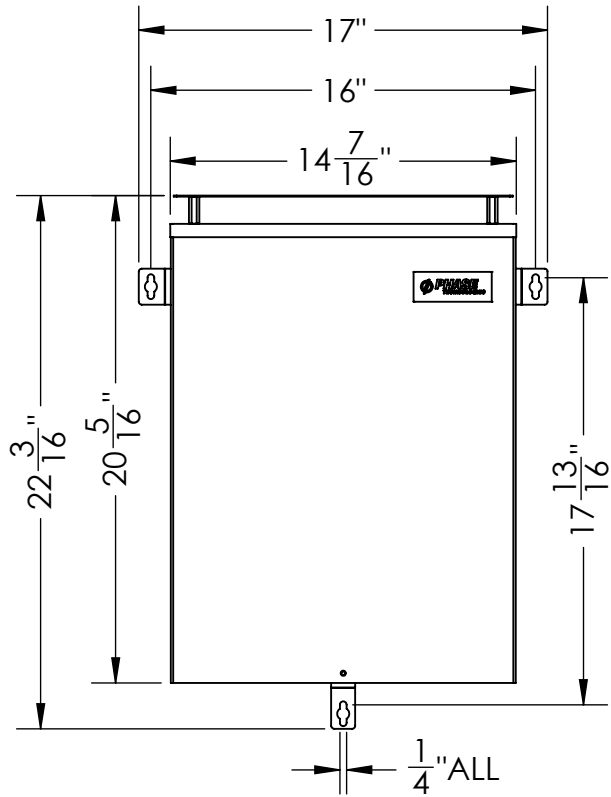
TYPE 1	TYPE 3R
DV009E1	DV009E3
DV013E1	DV013E3
DV018E1	DV018E3
DV031E1	DV031E3
DV045E1	DV045E3
SW009E1	SW009E3
SW013E1	SW013E3
SW018E1	SW018E3



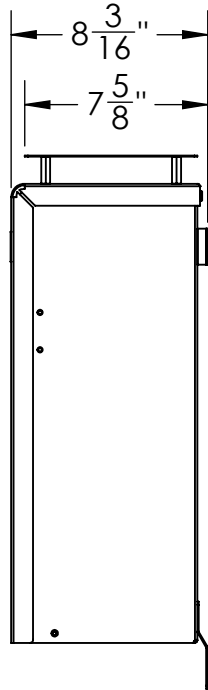
Drawing Title: <b>FILTER ENCLOSURE A</b>			
Part Number: <b>SEE TABLE</b>		Revision: <b>0</b>	
Material: <b>N/A</b>			
Finish: <b>N/A</b>			
Drawn by: <b>BTD</b>		Checked/Approved by:	
Scale: <b>N/A</b>	Sheet: <b>1 of 1</b>	Date: <b>9/20/2022</b>	Units: <b>IN</b>



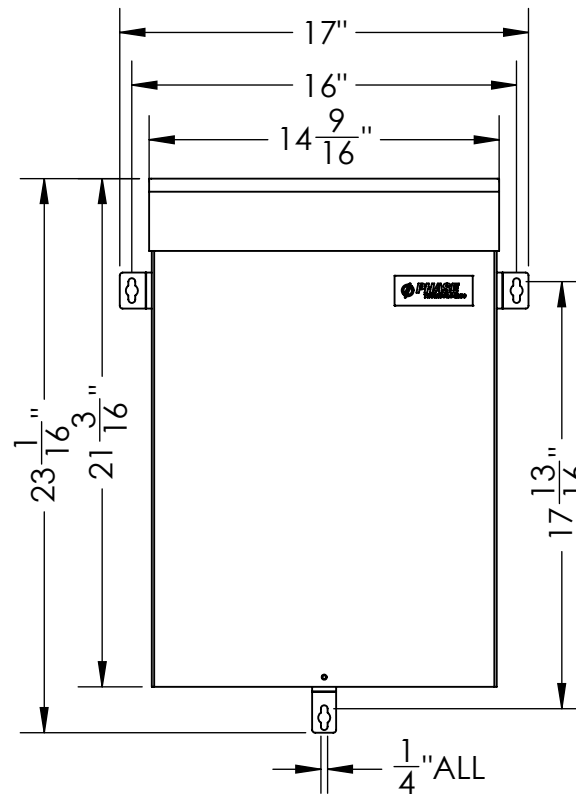
This drawing and any information contained within are the confidential and copyright property of Phase Technologies, LLC © and MUST NOT BE DISCLOSED, COPIED, LOANED in whole or part or used for any purpose without the written permission of Phase Technologies, LLC.



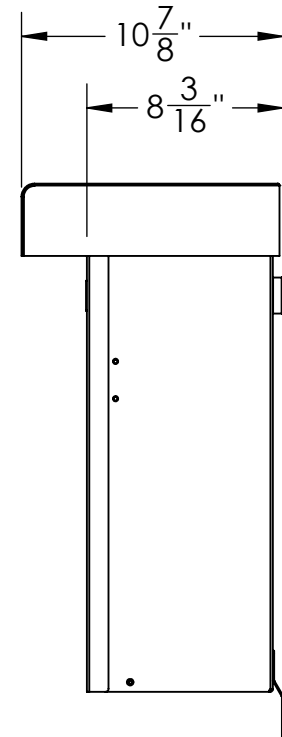
FRONT  
TYPE 1



SIDE  
TYPE 1

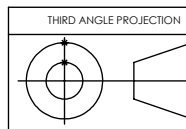


FRONT  
TYPE 3R




SIDE  
TYPE 3R

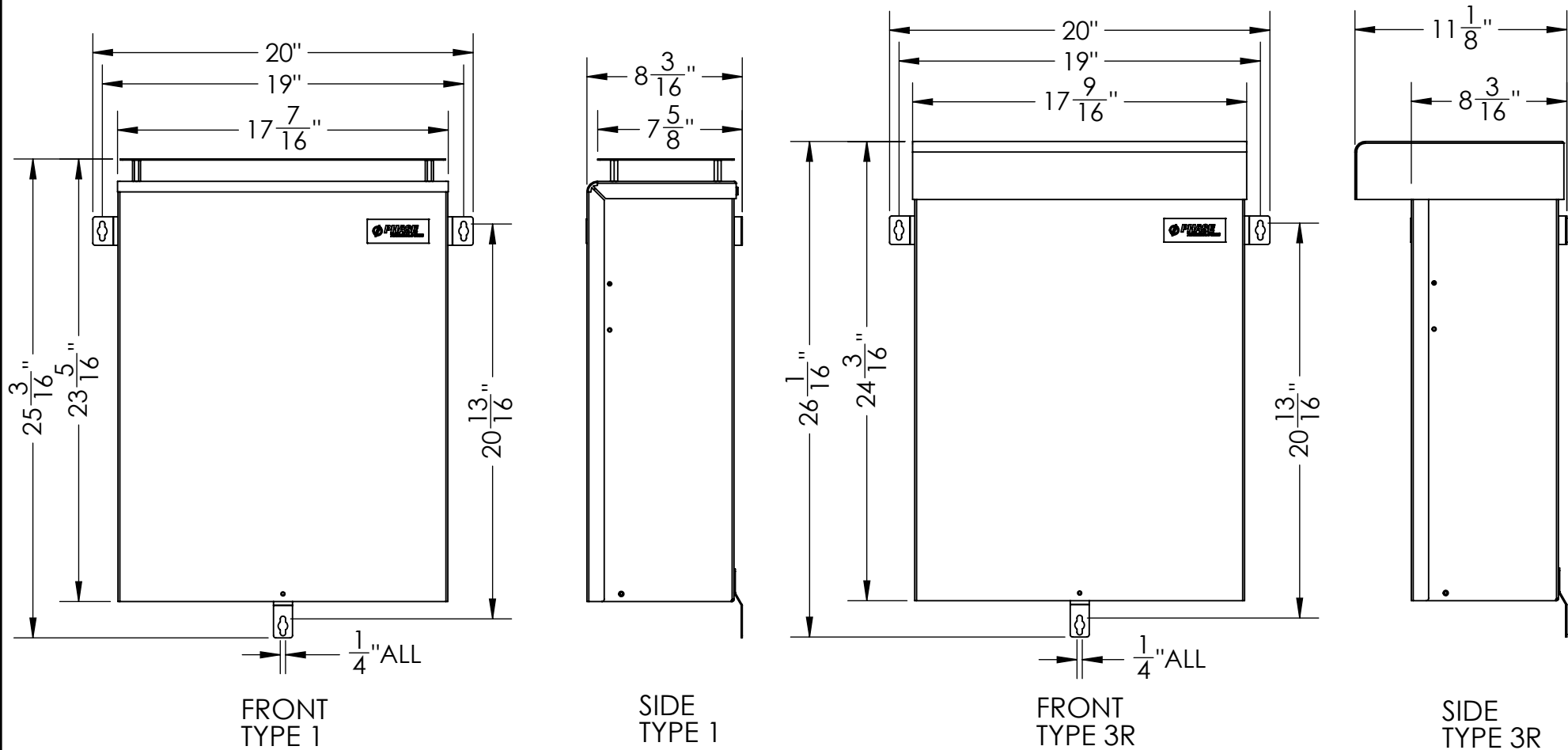
MODELS	
TYPE 1	TYPE 3R
DV060E1	DV060E3
DV077E1	DV077E3
SW031E1	SW031E3
SW045E1	SW045E3



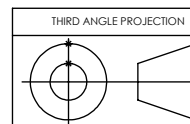
Drawing Title: <b>FILTER ENCLOSURE B</b>			
Part Number: <b>SEE TABLE</b>		Revision: <b>0</b>	
Material: <b>N/A</b>			
Finish: <b>N/A</b>			
Drawn by: <b>BTD</b>		Checked/Approved by:	
Scale: <b>N/A</b>	Sheet: <b>1 of 1</b>	Date: <b>9/20/2022</b>	Units: <b>IN</b>




This drawing and any information contained within are the confidential and copyright property of Phase Technologies, LLC © and MUST NOT BE DISCLOSED, COPIED, LOANED in whole or part or used for any purpose without the written permission of Phase Technologies, LLC.



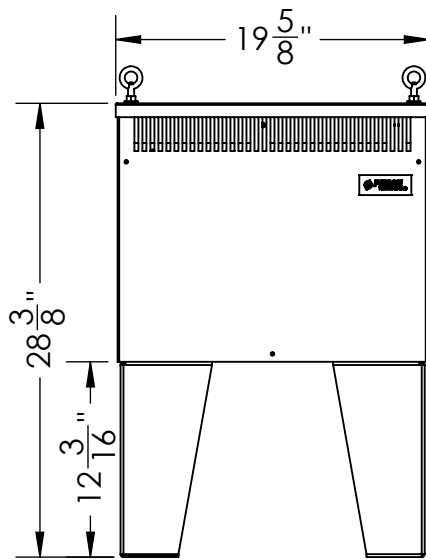
MODELS	
TYPE 1	TYPE 3R
DV090E1	DVO90E3
DV107E1	DV107E3
DV128E1	DV128E3
SW060E1	SW060E3
SW077E1	SW077E3



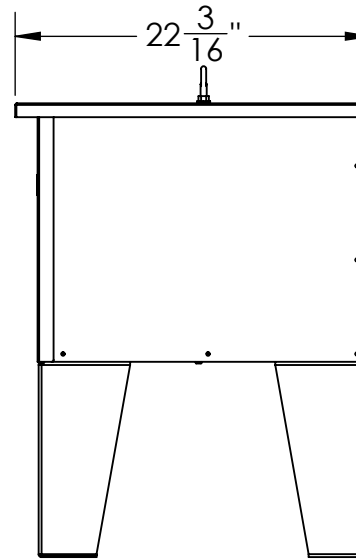
Drawing Title: <b>FILTER ENCLOSURE C</b>			
Part Number: <b>SEE TABLE</b>		Revision: <b>0</b>	
Material: <b>N/A</b>			
Finish: <b>N/A</b>			
Drawn by: <b>BTD</b>		Checked/Approved by:	
Scale: <b>N/A</b>	Sheet: <b>1 of 1</b>	Date: <b>9/20/2022</b>	Units: <b>IN</b>



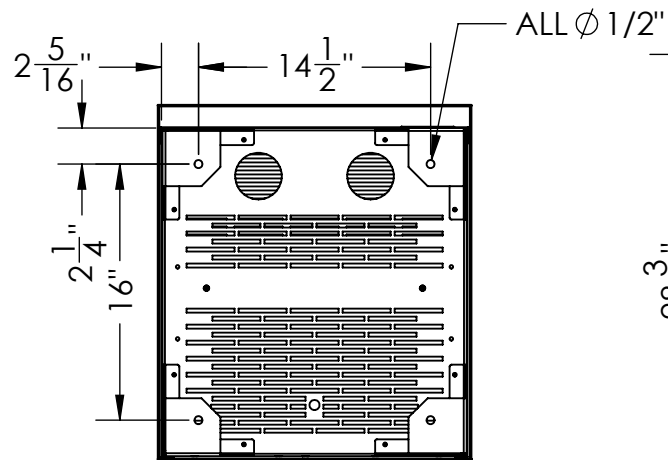
This drawing and any information contained within are the confidential and copyright property of Phase Technologies, LLC © and MUST NOT BE DISCLOSED, COPIED, LOANED in whole or part or used for any purpose without the written permission of Phase Technologies, LLC.



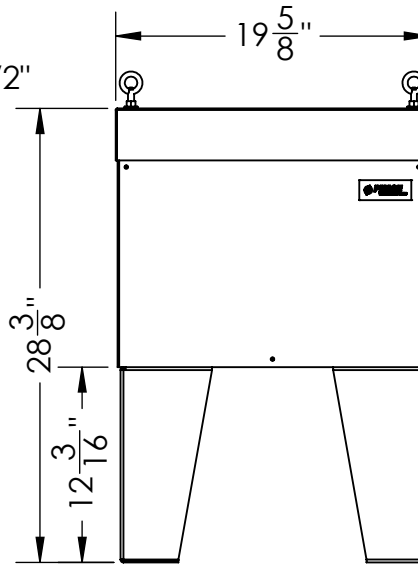
FRONT  
TYPE 1



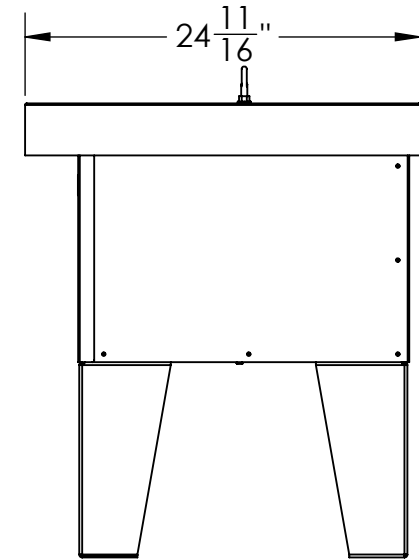
SIDE  
TYPE 1



BOTTOM

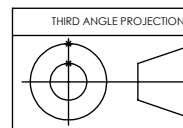


FRONT  
TYPE 3R



SIDE  
TYPE 3R

MODELS	
TYPE 1	TYPE 3R
DV160E1	DV160E3
DV200E1	DV200E3
DV250E1	DV250E3
SW090E1	SW090E3
SW107E1	SW107E3
SW128E1	SW128E3

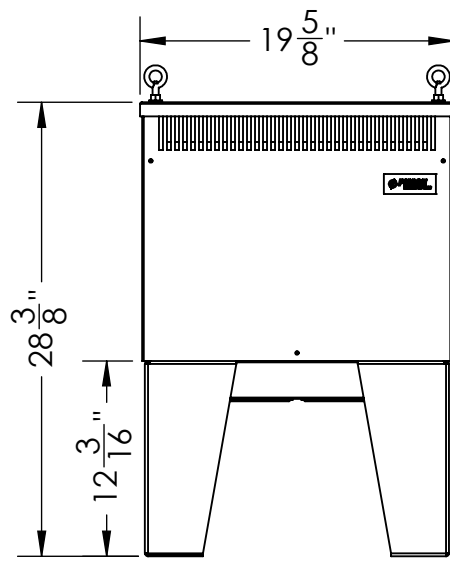


Drawing Title: <b>FILTER ENCLOSURE D</b>			
Part Number: <b>SEE TABLE</b>		Revision: <b>0</b>	
Material: <b>N/A</b>			
Finish: <b>N/A</b>			
Drawn by: <b>BTD</b>		Checked/Approved by:	
Scale: <b>1:12</b>	Sheet: <b>1 of 1</b>	Date: <b>9/14/2022</b>	Units: <b>IN</b>

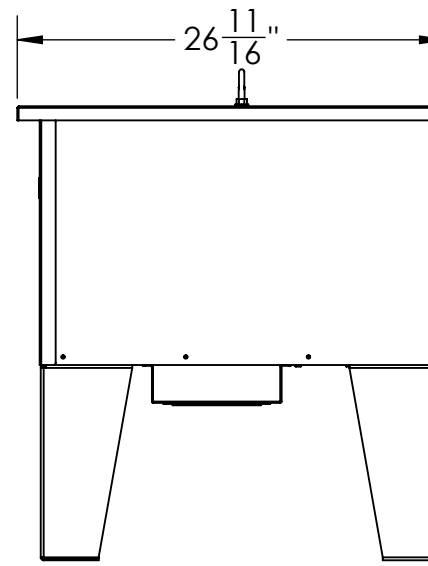


This drawing and any information contained within are the confidential and copyright property of Phase Technologies, LLC © and MUST NOT BE DISCLOSED, COPIED, LOANED in whole or part or used for any purpose without the written permission of Phase Technologies, LLC.

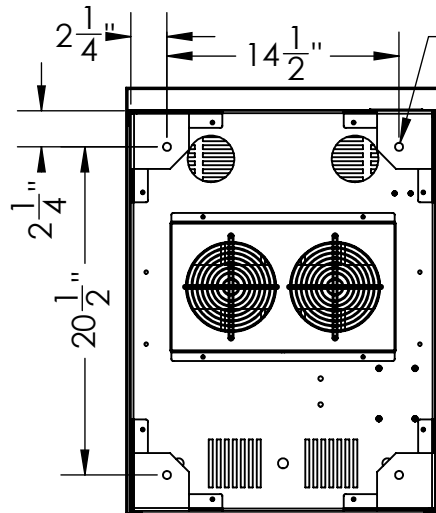




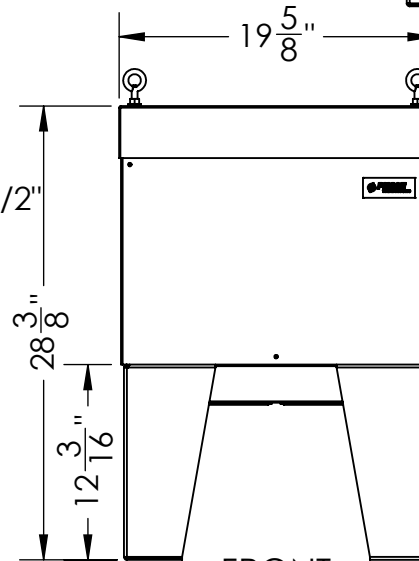
FRONT  
TYPE 1



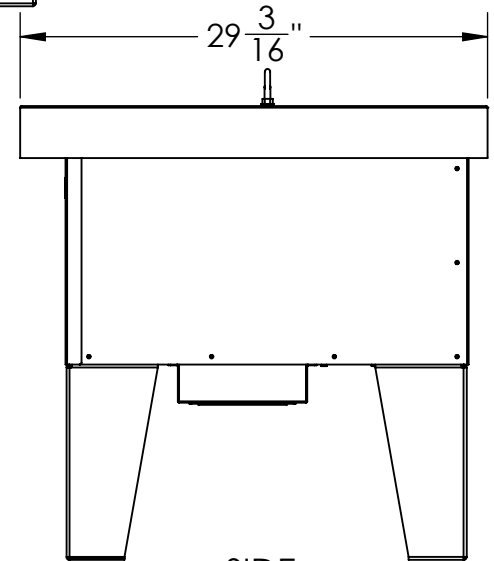
SIDE  
TYPE 1



BOTTOM

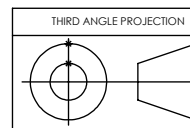


FRONT  
TYPE 3R



SIDE  
TYPE 3R

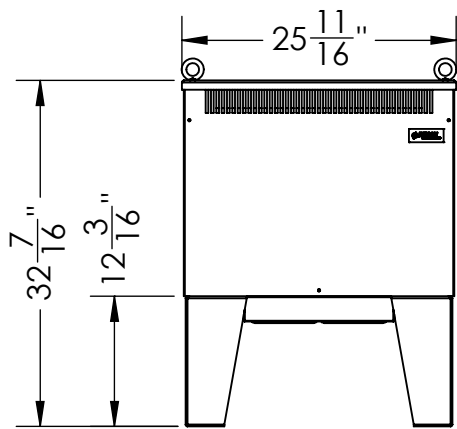
MODELS	
TYPE 1	TYPE 3R
SW160E1	SW160E3
SW200E1	SW200E3
SW250E1	SW250E3



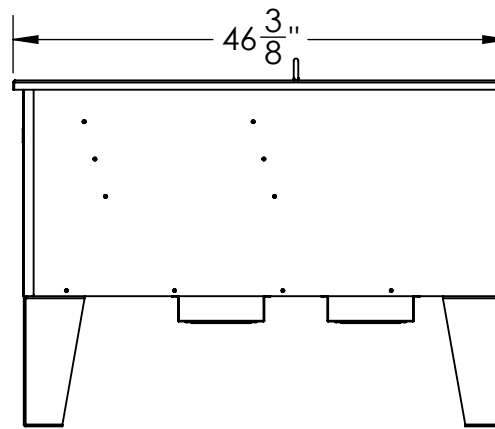
Drawing Title: <b>FILTER ENCLOSURE E</b>			
Part Number: <b>SEE TABLE</b>		Revision: <b>0</b>	
Material: <b>N/A</b>			
Finish: <b>N/A</b>			
Drawn by: <b>BTD</b>		Checked/Approved by:	
Scale: <b>1:12</b>	Sheet: <b>1 of 1</b>	Date: <b>9/14/2022</b>	Units: <b>IN</b>



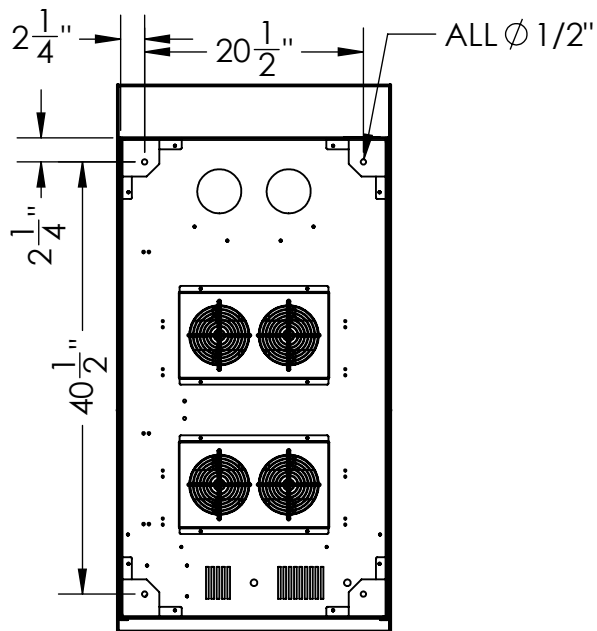
This drawing and any information contained within are the confidential and copyright property of Phase Technologies, LLC © and MUST NOT BE DISCLOSED, COPIED, LOANED in whole or part or used for any purpose without the written permission of Phase Technologies, LLC.



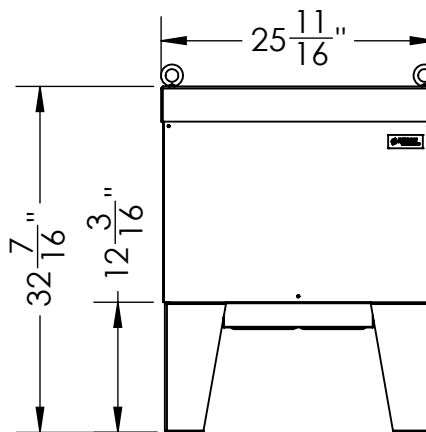
FRONT  
TYPE 1



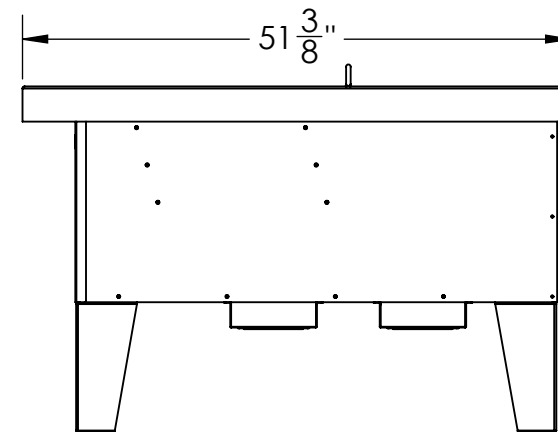
SIDE  
TYPE 1



BOTTOM

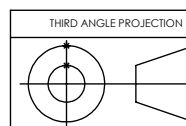


FRONT  
TYPE 3R



SIDE  
TYPE 3R

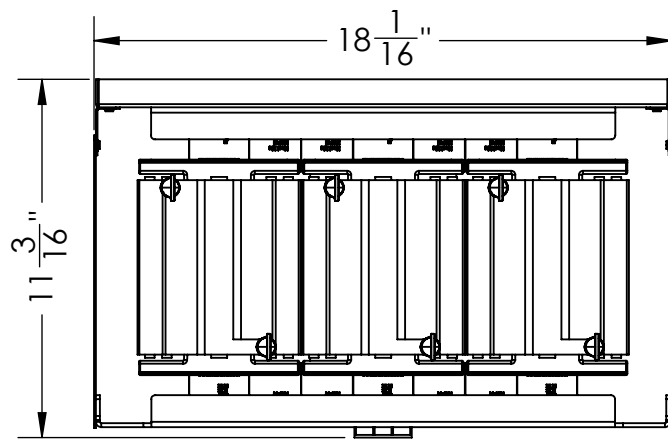
MODELS	
TYPE 1	TYPE 3R
DV362E1	DV362E3
DV480E1	DV480E3
DV600E1	DV600E3
SW362E1	SW362E3
SW480E1	SW480E3



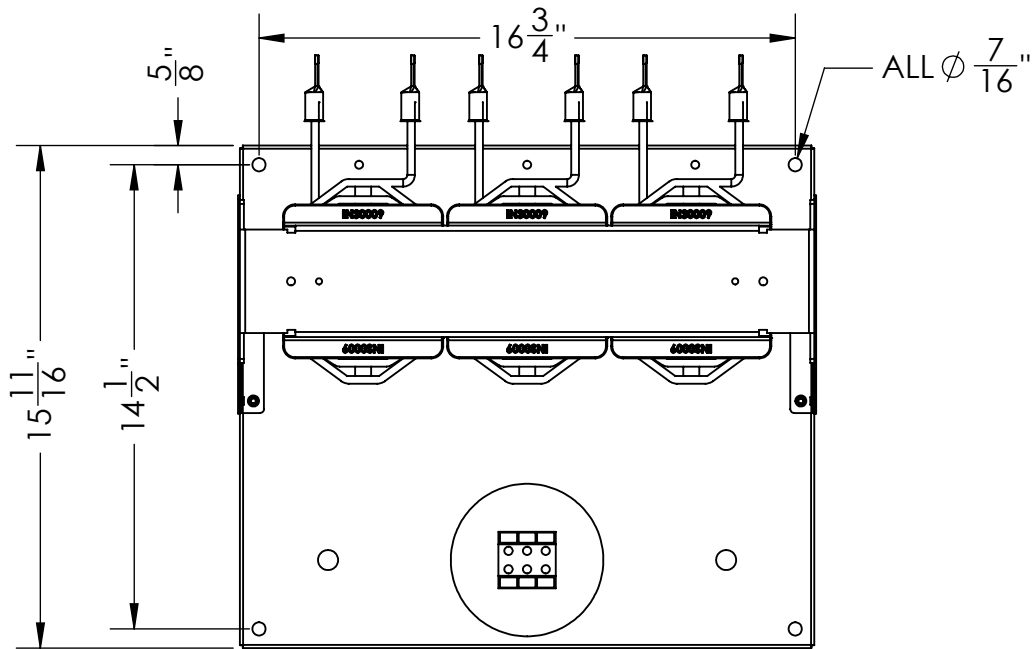
Drawing Title: <b>FILTER ENCLOSURE F</b>			
Part Number: <b>SEE TABLE</b>		Revision: <b>0</b>	
Material: <b>N/A</b>			
Finish: <b>N/A</b>			
Drawn by: <b>BTD</b>		Checked/Approved by:	
Scale: <b>1:18</b>	Sheet: <b>1 of 1</b>	Date: <b>9/14/2022</b>	Units: <b>IN</b>



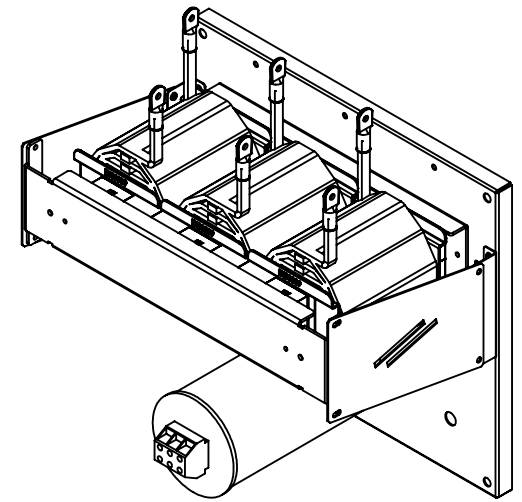
This drawing and any information contained within are the confidential and copyright property of Phase Technologies, LLC © and MUST NOT BE DISCLOSED, COPIED, LOANED in whole or part or used for any purpose without the written permission of Phase Technologies, LLC.



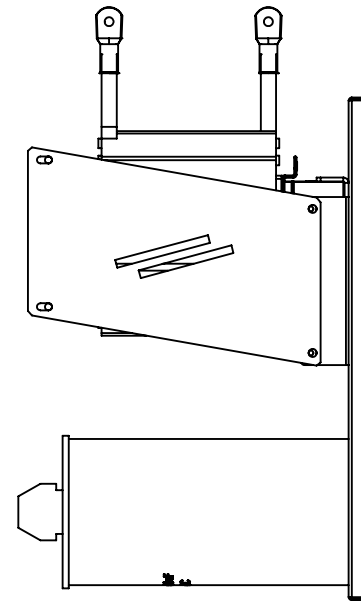
TOP



FRONT

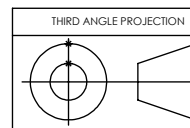


ISO  
SCALE  
1:8



SIDE

MODELS
SW160E0
SW200E0
SW250E0



Drawing Title: <b>SINE FILTER E</b>			
Part Number: <b>SEE TABLE</b>		Revision: <b>0</b>	
Material: <b>N/A</b>			
Finish: <b>N/A</b>			
Drawn by: <b>BTD</b>		Checked/Approved by:	
Scale: <b>1:6</b>	Sheet: <b>1 of 1</b>	Date: <b>9/14/2022</b>	Units: <b>IN</b>



This drawing and any information contained within are the confidential and copyright property of Phase Technologies, LLC © and MUST NOT BE DISCLOSED, COPIED, LOANED in whole or part or used for any purpose without the written permission of Phase Technologies, LLC.