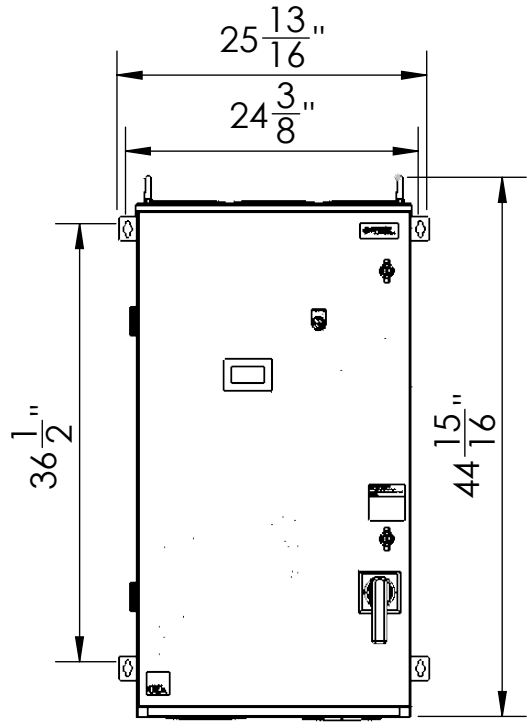
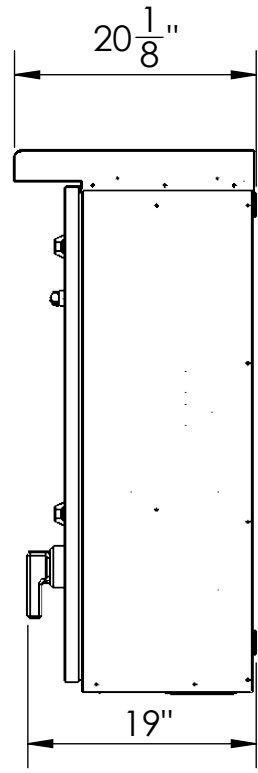


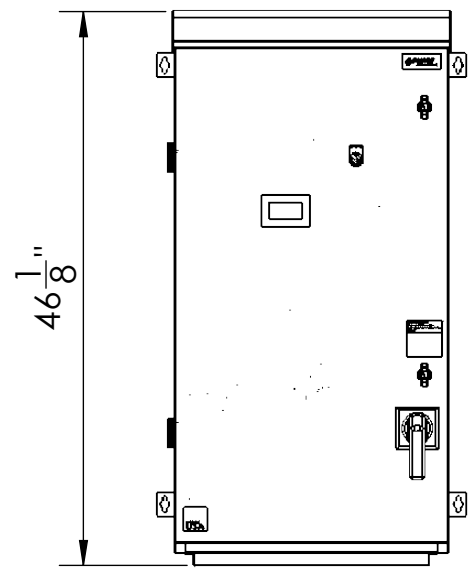
TOP



FRONT

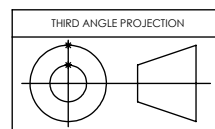


SIDE - 3R KIT AND BREAKER



FRONT - 3R KIT AND BREAKER

MODELS
PT030
PT040/PT440
PT050/PT450
PT060/PT460
PT075/PT475
PT4100
PT4150
PT4175

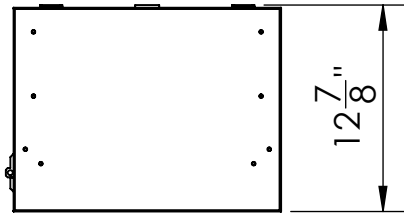


UNLESS OTHERWISE SPECIFIED:
 NO DIM, ±0.060" TO MODEL
 0.XX: ±0.02" 0.XXX: ±0.010"
 ANGLES: ±1°
 HOLE Ø: ±0.020" TO MODEL
 HOLE ⌀: ±0.010" TO MODEL

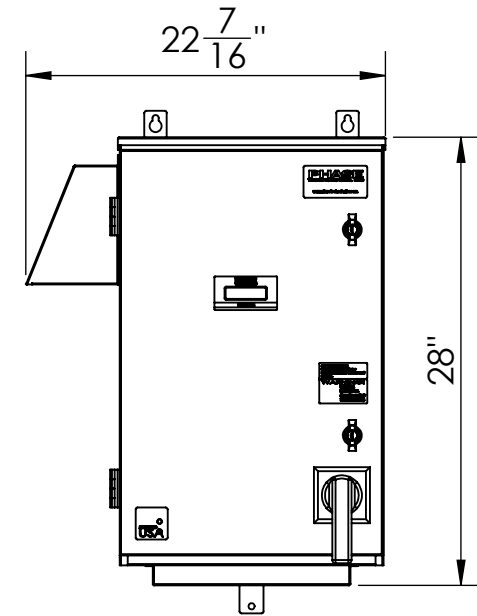
Drawing Title: Phase Perfect® Digital Phase Converter - Large Frame	
Part Number: See Model Table	Revision: 002
Material:	
Finish:	
Drawn by: AHK	Checked/Approved by: JLT
Scale: 1:12	Sheet: 1 of 1
Date: 3/27/2023	Units: IN

PHASE
TECHNOLOGIES

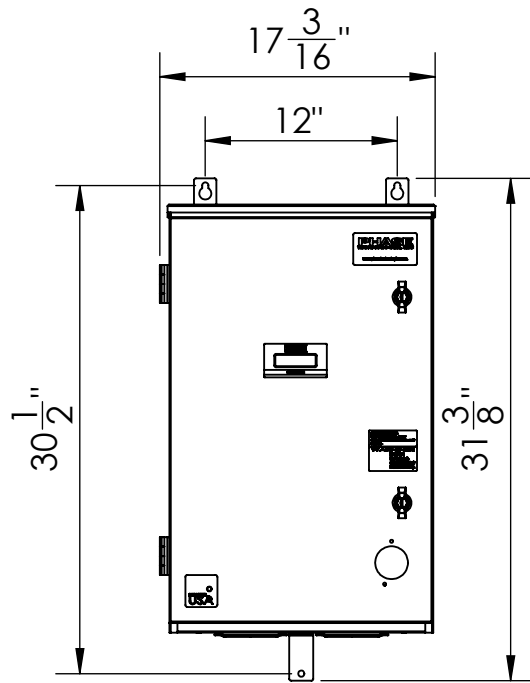
This drawing and any information contained within are the confidential and copyright property of Phase Technologies, LLC © and MUST NOT BE DISCLOSED, COPIED, LOANED in whole or part or used for any purpose without the written permission of Phase Technologies, LLC.



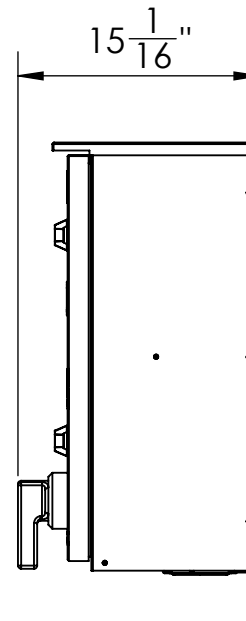
TOP



FRONT - 3R KIT AND BREAKER

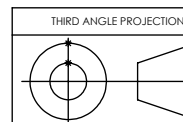


FRONT



SIDE - BREAKER

MODELS
PT407
PT410
PT415
PT420



THIRD ANGLE PROJECTION

UNLESS OTHERWISE SPECIFIED:
 NO DIM, ±0.060" TO MODEL
 0.XX: ±0.02" 0.XXX: ±0.010"
 ANGLES: ±1°
 HOLE Ø: ±0.020" TO MODEL
 HOLE ⌀: ±0.010" TO MODEL

MASS = lb

Drawing Title: **Phase Perfect® Digital Phase Converter - Small Frame**

Part Number: **See Model Table**

Revision: **001**

Material:

Finish:

Drawn by: **AHK**

Checked/Approved by: **JLT**

Scale: **1:12**

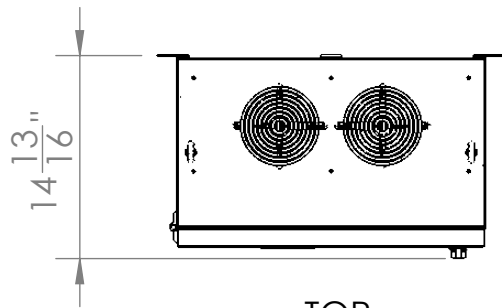
Sheet: **1 of 4**

Date: **8/20/2019**

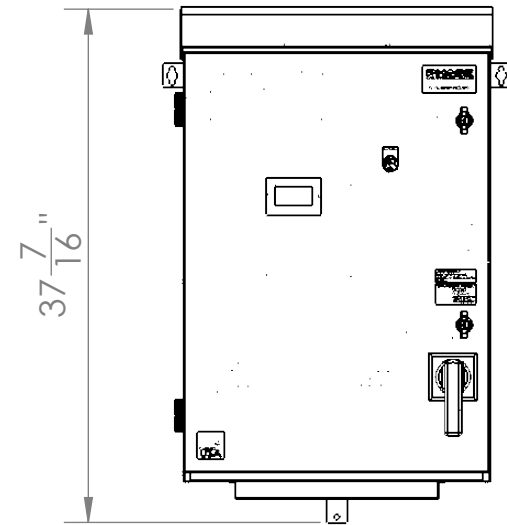
Units: **IN**

PHASE
 TECHNOLOGIES

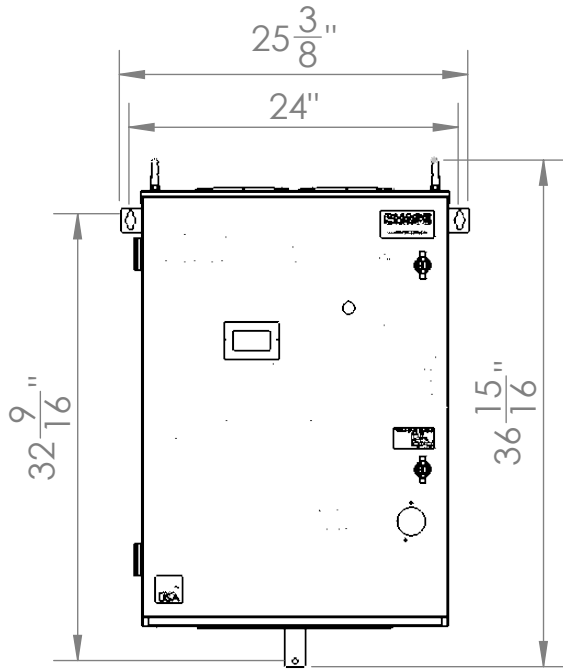
This drawing and any information contained within are the confidential and copyright property of Phase Technologies, LLC © and MUST NOT BE DISCLOSED, COPIED, LOANED in whole or part or used for any purpose without the written permission of Phase Technologies, LLC.



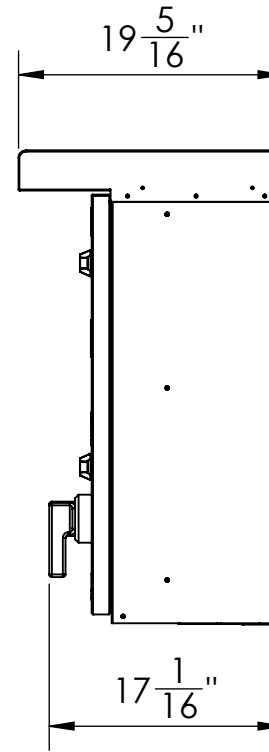
TOP



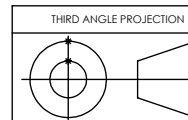
FRONT - 3R KIT AND BREAKER



FRONT



SIDE - 3R KIT AND BREAKER



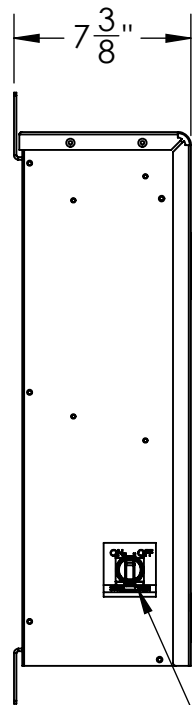
MODELS
PT007
PT010
PT020
PT430

UNLESS OTHERWISE SPECIFIED:
 NO DIM, ±0.060" TO MODEL
 0.XX: ±0.02" 0.XXX: ±0.010"
 ANGLES: ±1°
 HOLE Ø: ±0.020" TO MODEL
 HOLE ⌀: ±0.010" TO MODEL

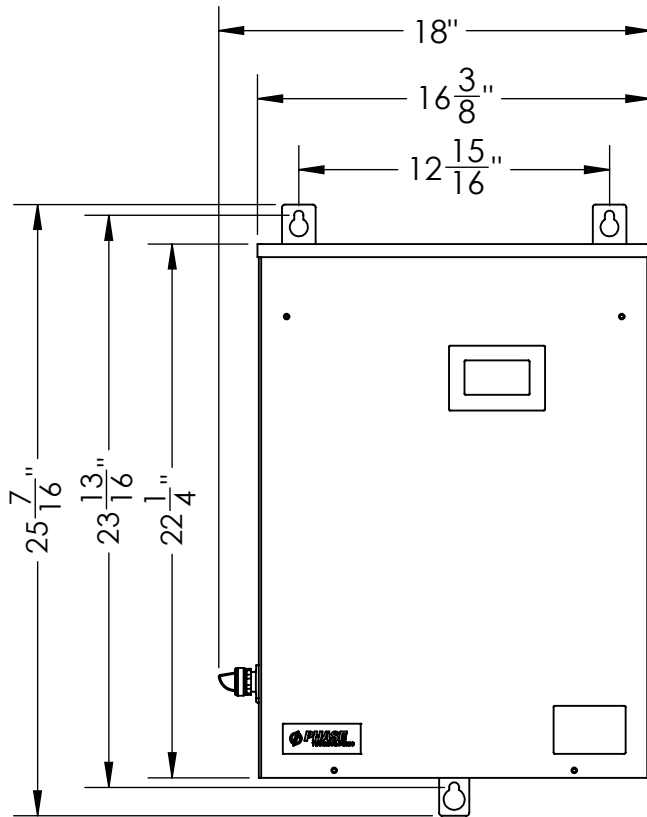
Drawing Title: Phase Perfect® Digital Phase Converter - Medium Frame			
Part Number: See Model Table		Revision: 002	
Material:			
Finish:			
Drawn by: AHK		Checked/Approved by: JLT	
Scale: 1:12	Sheet: 1 of 2	Date: 8/19/2019	Units: IN

PHASE
 TECHNOLOGIES

This drawing and any information contained within are the confidential and copyright property of Phase Technologies, LLC © and MUST NOT BE DISCLOSED, COPIED, LOANED in whole or part or used for any purpose without the written permission of Phase Technologies, LLC.

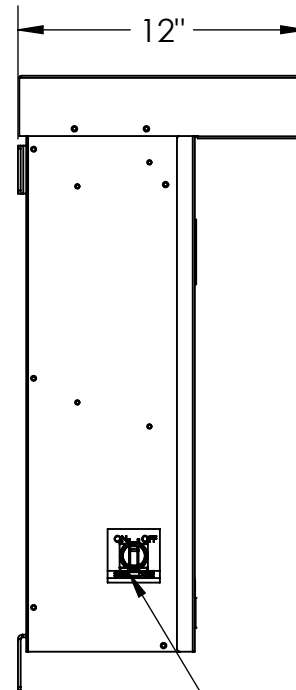


SIDE, TYPE 1

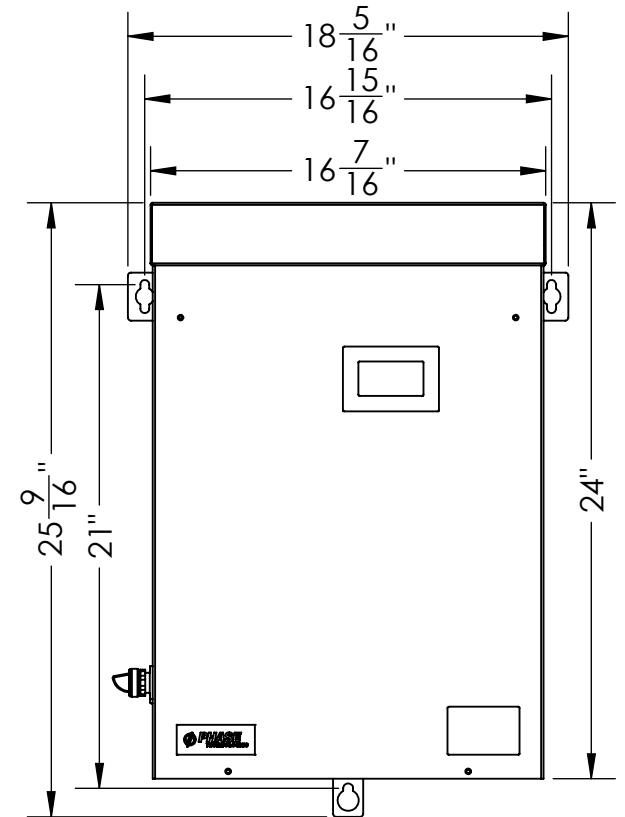


FRONT TYPE 1

Optional On/Off Switch



SIDE, TYPE 3R



FRONT TYPE 3R

Optional On/Off Switch

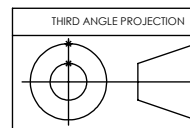
MODELS	
PTE.007	PTE.007R
PTE.010	PTE.010R

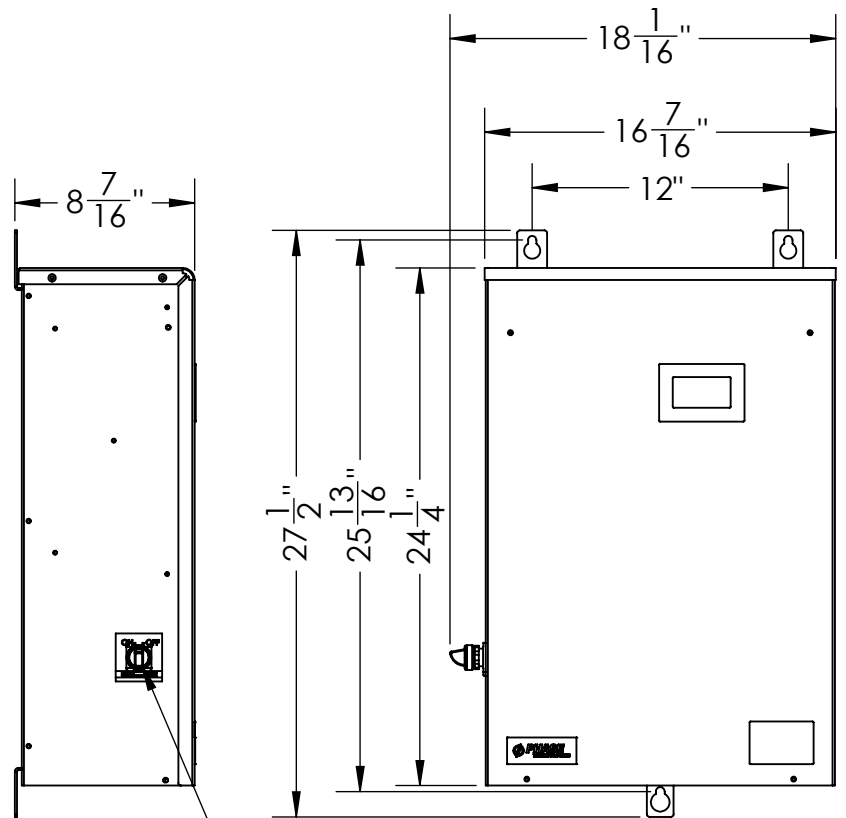
MASS = 0.000lb

Drawing Title: PTE.010 Frame	
Part Number: See Model Table	Revision: 0
Material: N/A	
Finish: N/A	
Drawn by: NJC	
Checked/Approved by:	
Scale: 1:12	Sheet: 1 of 1
Date: 8/4/2023	Units: IN



This drawing and any information contained within are the confidential and copyright property of Phase Technologies, LLC © and MUST NOT BE DISCLOSED, COPIED, LOANED in whole or part or used for any purpose without the written permission of Phase Technologies, LLC.

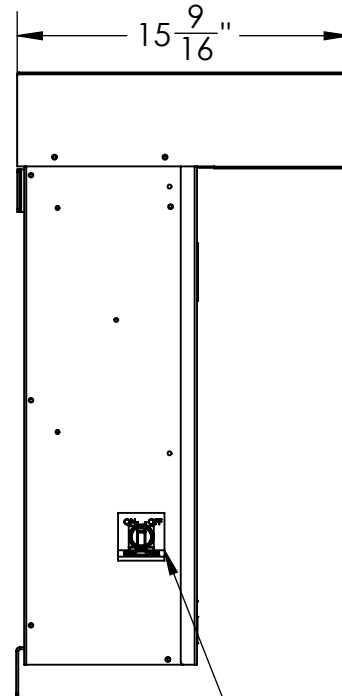




SIDE, TYPE 1

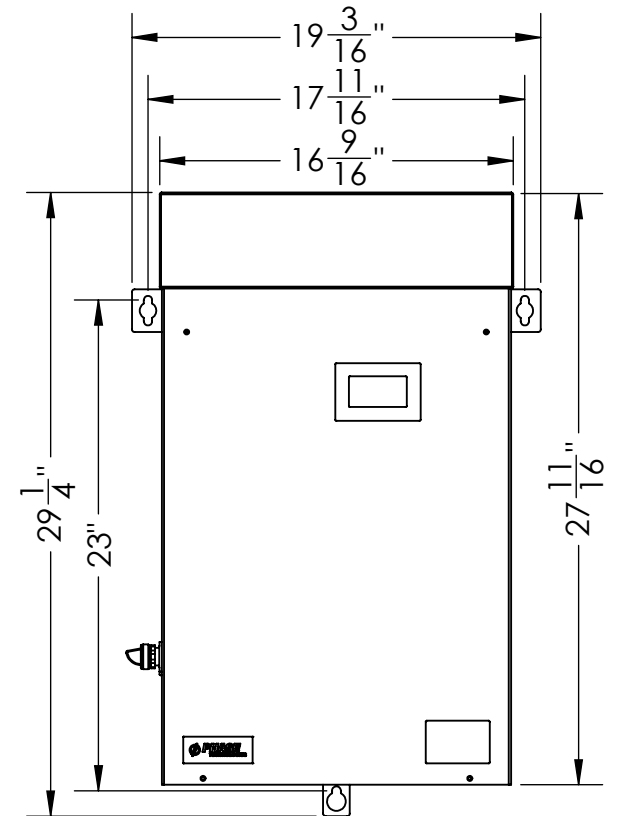
Optional On/Off Switch

FRONT TYPE 1



SIDE, TYPE 3R

Optional On/Off Switch



FRONT TYPE 3R

MODELS	
PTE.015	PTE.015R
PTE.020	PTE.020R
PTE.407	PTE.407R
PTE.410	PTE.410R
PTE.415	PTE.415R
PTE.420	PTE.420R

MASS = 0.000lb

Drawing Title:

PTE.020 Frame

Part Number:
See Model Table

Revision:
0

Material:
N/A

Finish:
N/A

Drawn by:
NJC

Checked/Approved by:

Scale:
1:9

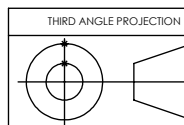
Sheet:
1 of 1

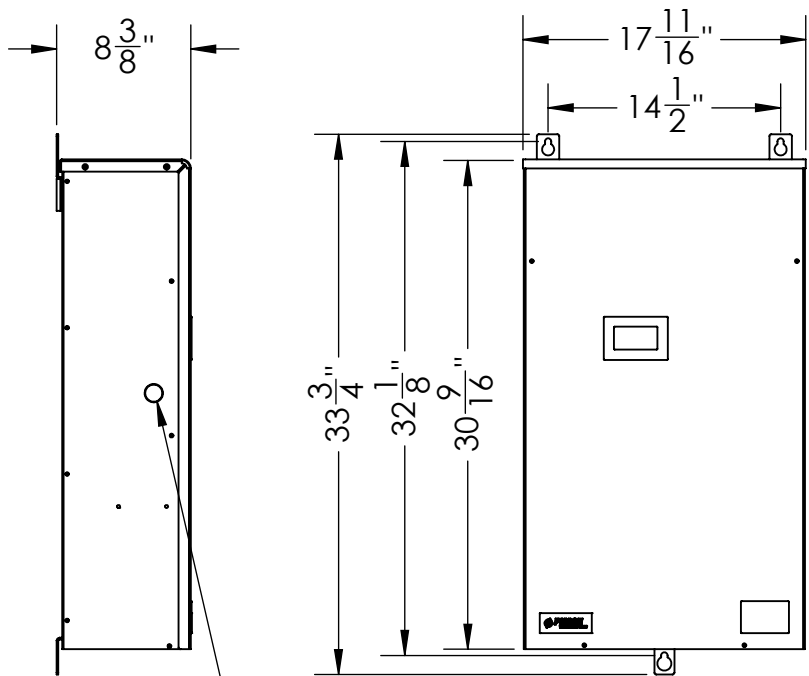
Date:
8/4/2023

Units:
IN

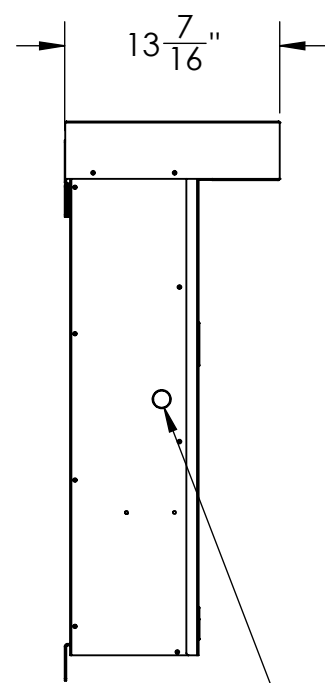


This drawing and any information contained within are the confidential and copyright property of Phase Technologies, LLC © and MUST NOT BE DISCLOSED, COPIED, LOANED in whole or part or used for any purpose without the written permission of Phase Technologies, LLC.

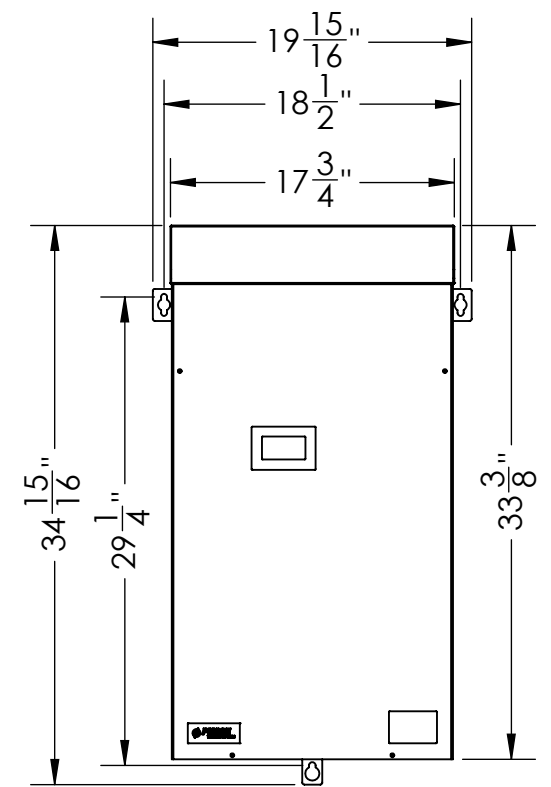




SIDE, TYPE 1 Optional On/Off Switch FRONT TYPE 1



FRONT TYPE 3R Optional On/Off Switch



FRONT TYPE 3R

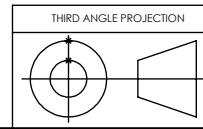
MODELS	
PTE.207	PTE.207R
PTE.210	PTE.210R
PTE.215	PTE.215R
PTE.220	PTE.220R

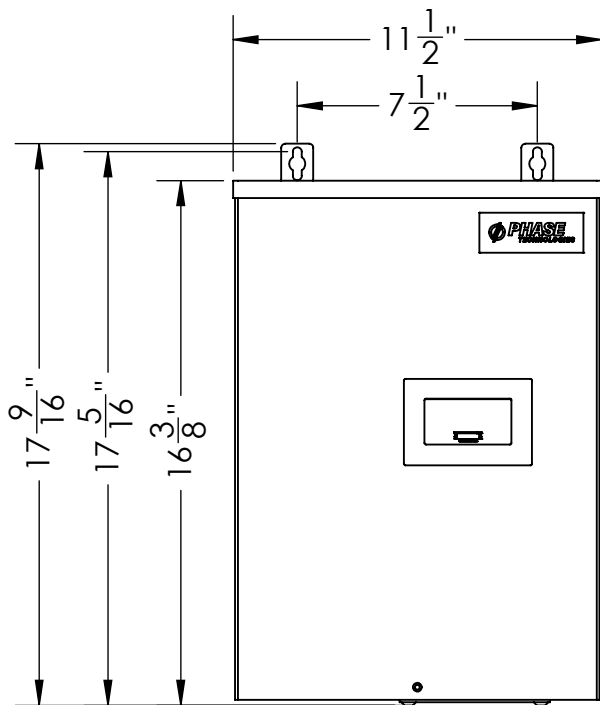
MASS = 0.000lb

Drawing Title: PTE.220 Frame	
Part Number: See Model Table	Revision: 0
Material: N/A	
Finish: N/A	
Drawn by: NJC	
Checked/Approved by:	
Scale: 1:12	Sheet: 1 of 1
Date: 8/4/2023	Units: IN

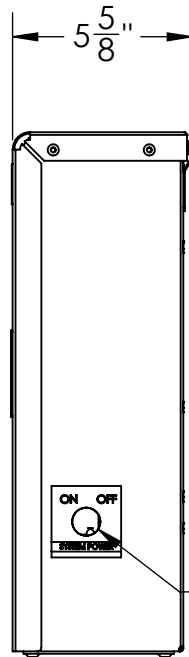


This drawing and any information contained within are the confidential and copyright property of Phase Technologies, LLC © and MUST NOT BE DISCLOSED, COPIED, LOANED in whole or part or used for any purpose without the written permission of Phase Technologies, LLC.



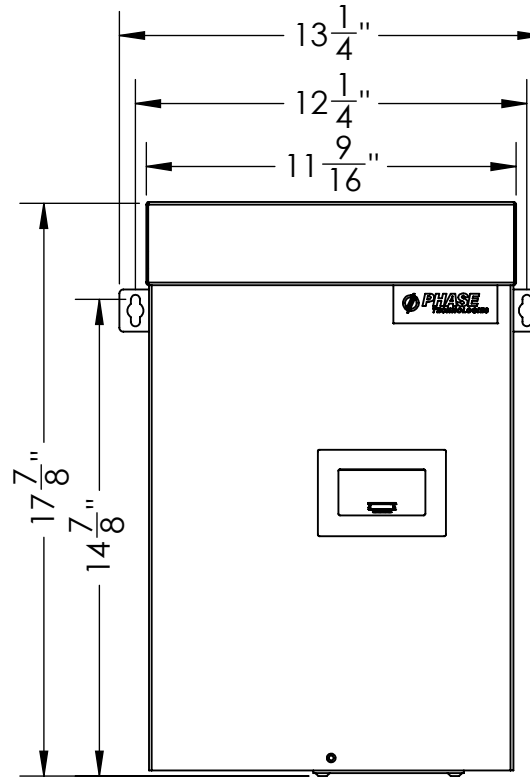


FRONT
TYPE 1

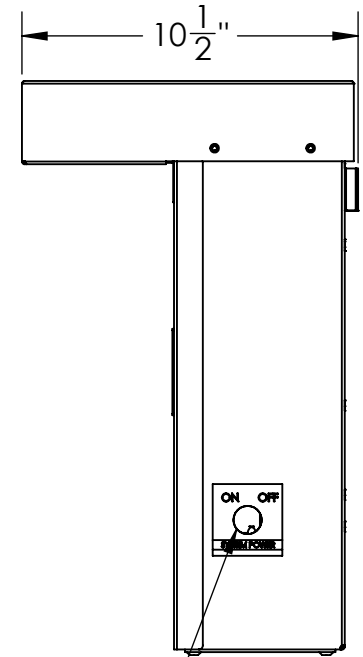


SIDE
TYPE 1

Optional On/Off
Switch



FRONT
TYPE 3R



SIDE
TYPE 3R

Optional On/Off
Switch

MODELS	
TYPE 1	TYPE 3R
PTS003	PTS003R
PTS005	PTS005R

MASS = 0.000lb

Drawing Title:

PTS003 AND PTS005

Part Number:
See Model Table

Revision:
1

Material:
N/A

Finish:
N/A

Drawn by:
NJC

Checked/Approved by:

Scale:
1:6

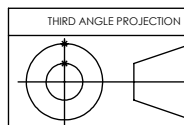
Sheet:
1 of 1

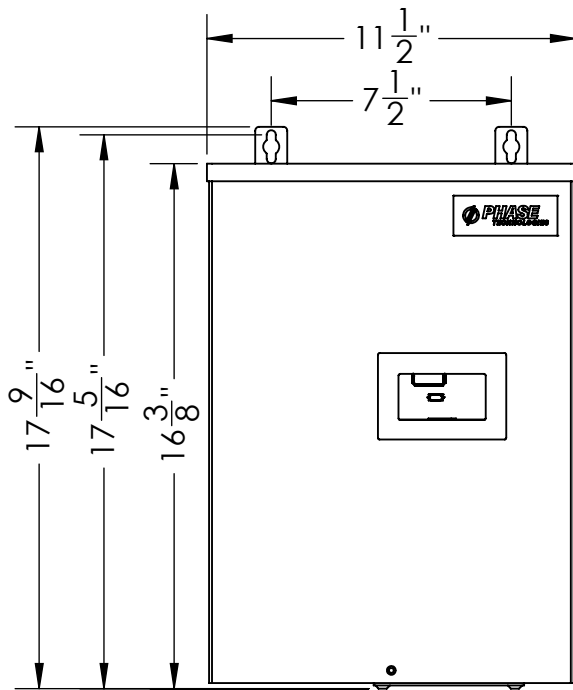
Date:
8/4/2023

Units:
IN



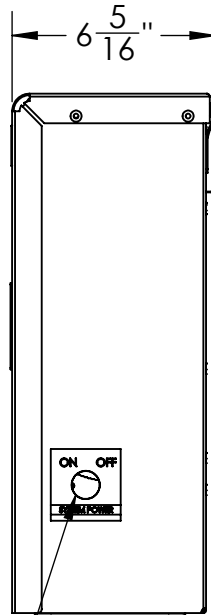
This drawing and any information contained within are the confidential and copyright property of Phase Technologies, LLC © and MUST NOT BE DISCLOSED, COPIED, LOANED in whole or part or used for any purpose without the written permission of Phase Technologies, LLC.



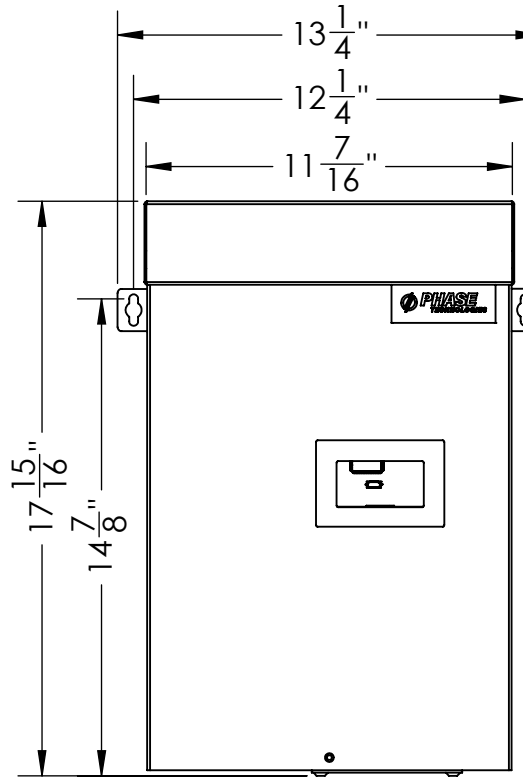


FRONT TYPE 1

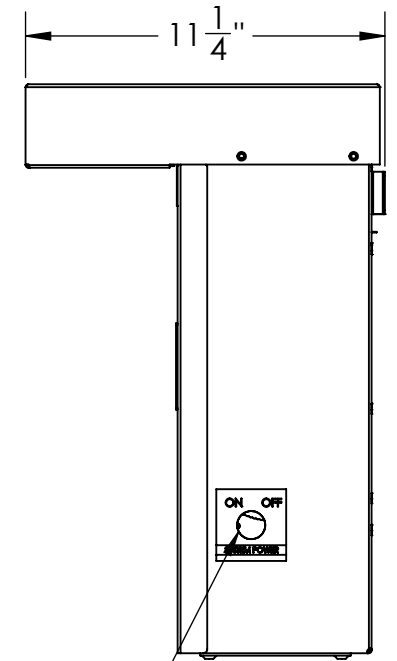
Optional On/Off Switch



SIDE TYPE 1

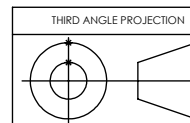


FRONT TYPE 3R



SIDE, TYPE 3R

Optional On/Off Switch



MODELS	
PTS007	PTS007R

MASS = 0.000lb

Drawing Title:

PTS007

Part Number:
See Model Table

Revision:
2

Material:
N/A

Finish:
N/A

Drawn by:
NJC

Checked/Approved by:

Scale:
1:8

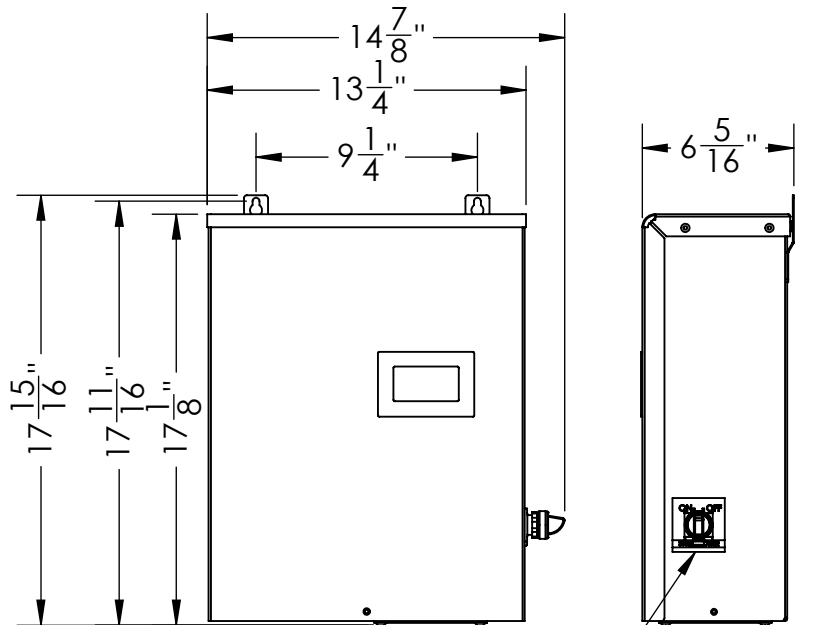
Sheet:
1 of 1

Date:
12/2/2022

Units:
IN



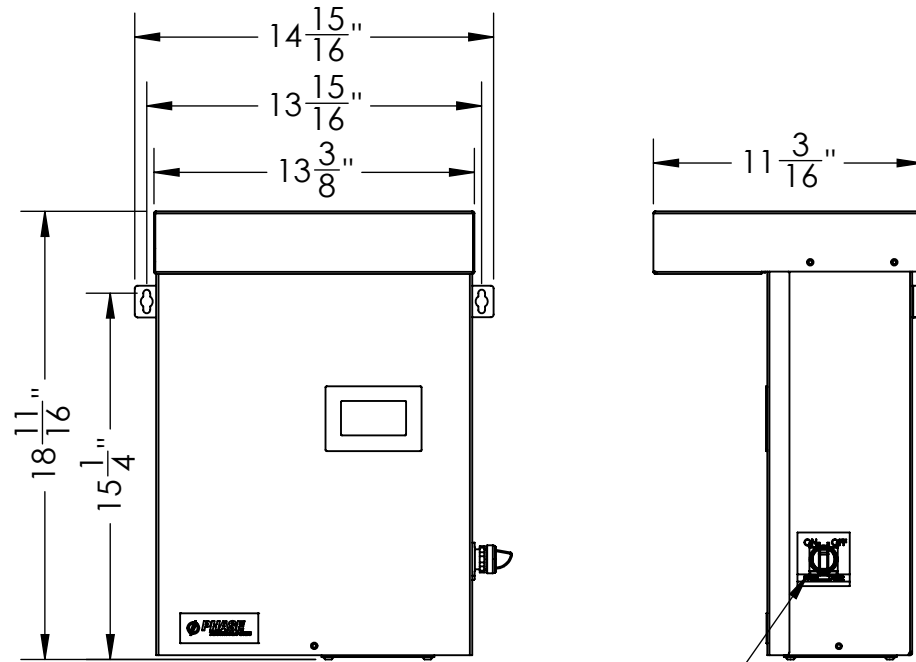
This drawing and any information contained within are the confidential and copyright property of Phase Technologies, LLC © and MUST NOT BE DISCLOSED, COPIED, LOANED in whole or part or used for any purpose without the written permission of Phase Technologies, LLC.



FRONT TYPE 1

SIDE, TYPE 1

Optional On/Off Switch



FRONT TYPE 3R

SIDE, TYPE 3R

Optional On/Off Switch

MODELS	
PTS405	PTS405R
PTS407	PTS407R

MASS = 0.000lb

Drawing Title: PTS405, 407	
Part Number: See Model Table	Revision: 0
Material: N/A	
Finish: N/A	
Drawn by: NJC	
Checked/Approved by:	
Scale: 1:8	Sheet: 1 of 1
Date: 8/4/2023	Units: IN



This drawing and any information contained within are the confidential and copyright property of Phase Technologies, LLC © and MUST NOT BE DISCLOSED, COPIED, LOANED in whole or part or used for any purpose without the written permission of Phase Technologies, LLC.

