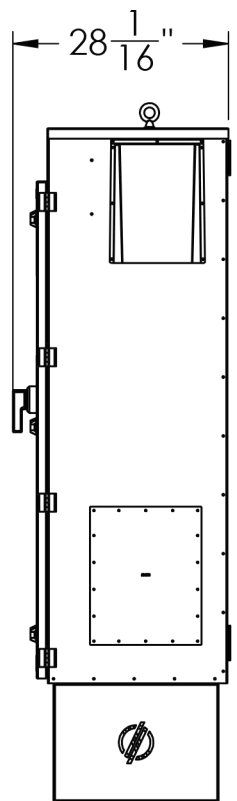
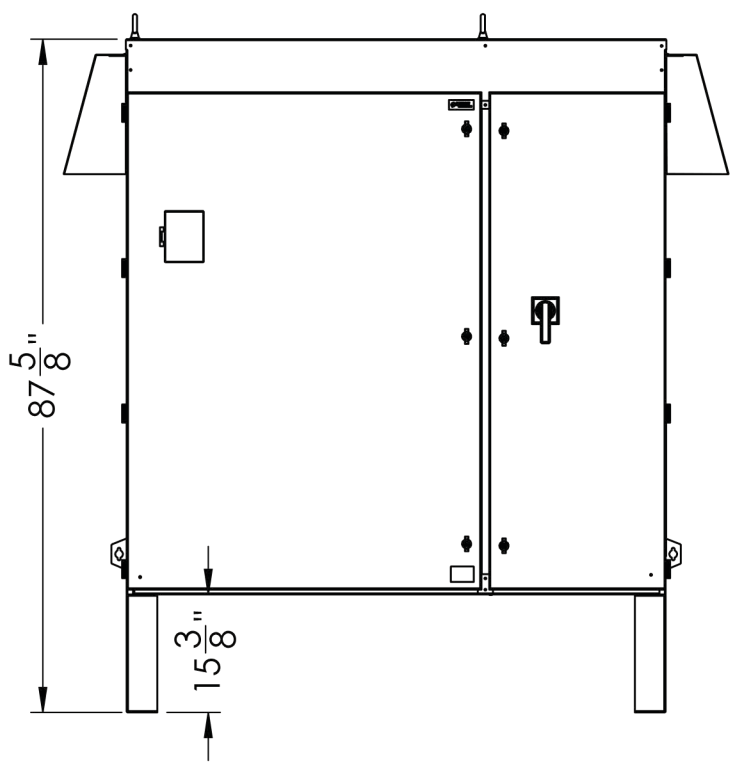


FRONT



SIDE



SHOWN WITH OPTIONAL MCCB

Drawing Title: ENC 7 Standard Enclosure			
Part Number:		Revision: 1	
Material:			
Finish: N/A			
Drawn by: IHH		Checked/Approved by:	
Scale: 1:25	Sheet: 1 of 1	Date: 4/4/2024	Units: IN



This drawing and any information contained within are the confidential and copyright property of Phase Technologies, LLC © and MUST NOT BE DISCLOSED, COPIED, LOANED in whole or part or used for any purpose without the written permission of Phase Technologies, LLC.