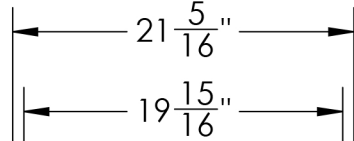


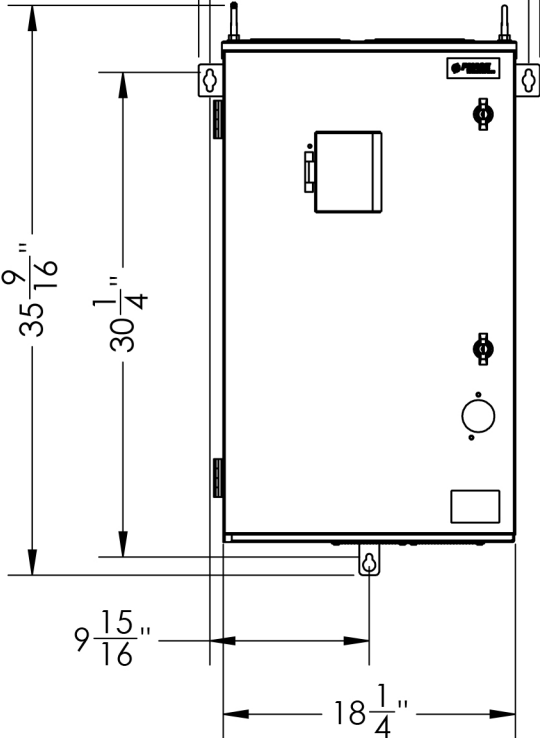
14 $\frac{5}{16}$ "

TOP



21 $\frac{5}{16}$ "

19 $\frac{15}{16}$ "



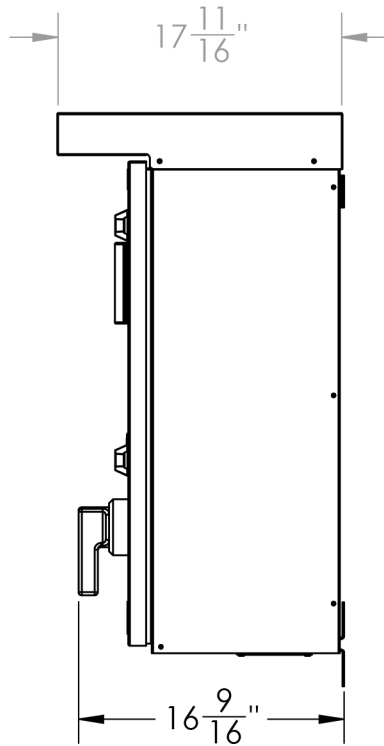
35 $\frac{9}{16}$ "

30 $\frac{1}{4}$ "

9 $\frac{15}{16}$ "

18 $\frac{1}{4}$ "

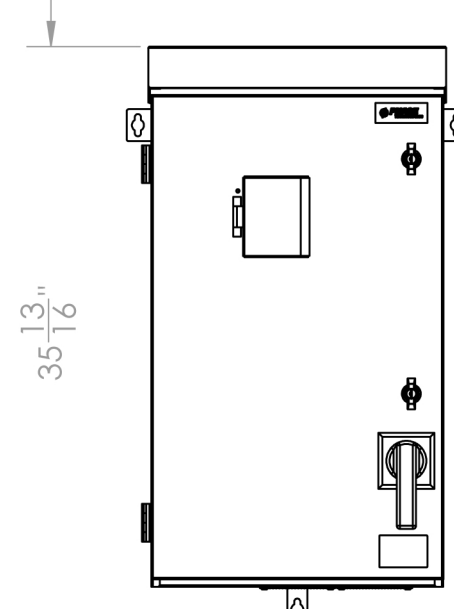
FRONT



17 $\frac{11}{16}$ "

16 $\frac{9}{16}$ "

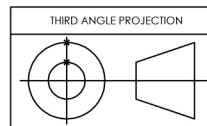
SIDE - 3R AND BREAKER



35 $\frac{13}{16}$ "

FRONT - 3R AND BREAKER

MODELS			
1LHE007	3LHE010	DXE010	SDE410
1LHE010	3LHE015	DXE015	SDE415
1LHE015	3LHE020	DXE020	
1LHE020	3LHE025	DXE025	
1LHE220	3LHE030	DXE030	
1LHE225	3LHE210	DXE420	
1LHE415	3LHE215	DXE425	
1LHE420	3LHE220	DXE430	
1LHE425	3LHE225	DXE440	
1LHE430	3LHE415	DXE450	
	3LHE420		
	3LHE425		
	3LHE430		
	3LHE440		
	3LHE450		

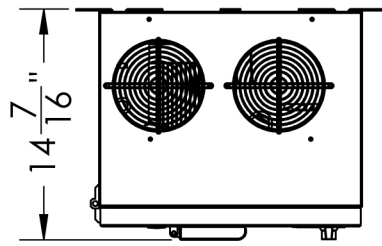


UNLESS OTHERWISE SPECIFIED:
 NO DIM, ±0.060" TO MODEL
 0.XX: ±0.02" 0.XXX: ±0.010"
 ANGLES: ±1°
 HOLE Ø: ±0.020" TO MODEL
 HOLE ⌀: ±0.010" TO MODEL

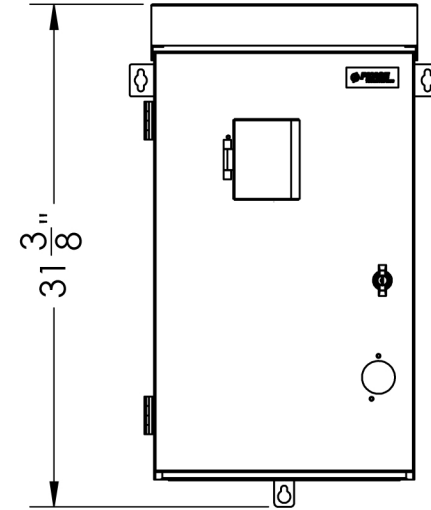
Drawing Title: Enterprise Large	
Part Number: See Model Table	Revision: 4
Material: N/A	
Finish:	
Drawn by: CAW	Checked/Approved by: TJM
Scale: 1:12	Sheet: 1 of 1
Date: 6/24/2020	Units: IN



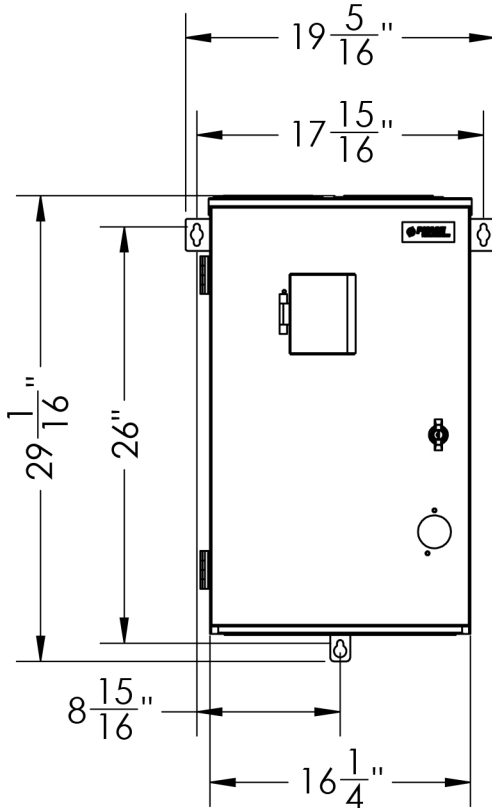
This drawing and any information contained within are the confidential and copyright property of Phase Technologies, LLC © and MUST NOT BE DISCLOSED, COPIED, LOANED in whole or part or used for any purpose without the written permission of Phase Technologies, LLC.



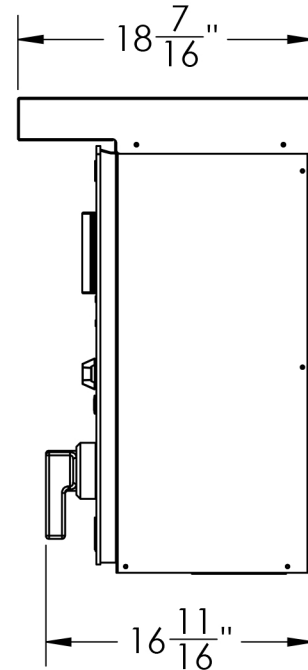
TOP



FRONT - 3R AND BREAKER



FRONT

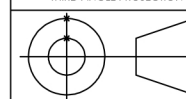


SIDE - 3R AND BREAKER

MODELS

1LHE005	3LHE005	DXE005	SDE005
1LHE205	3LHE007	DXE007	SDE007
1LHE207	3LHE205	DXE405	SDE010
1LHE210	3LHE207	DXE407	SDE015
1LHE215	3LHE405	DXE410	SDE405
1LHE405	3LHE407	DXE415	SDE407
1LHE407	3LHE410		
1LHE410			

THIRD ANGLE PROJECTION

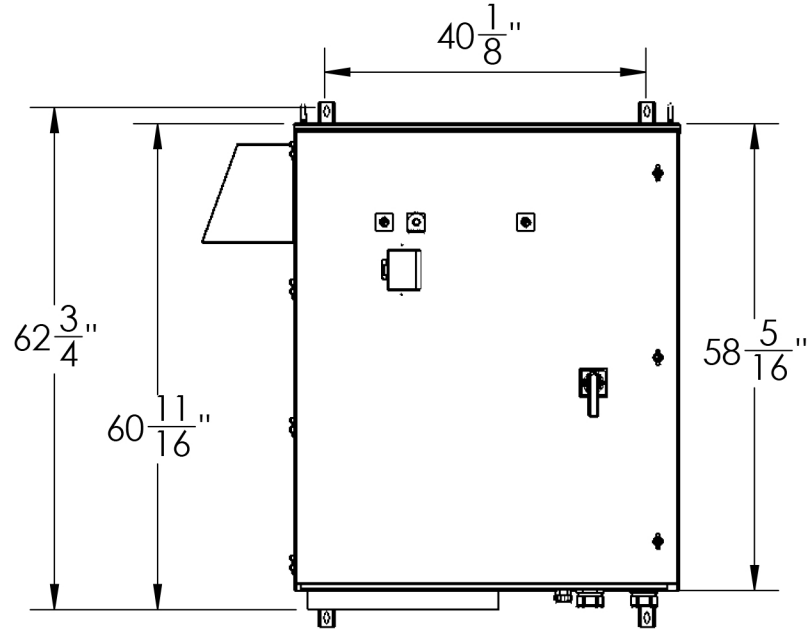


UNLESS OTHERWISE SPECIFIED:
 NO DIM, ±0.060" TO MODEL
 0.XX: ±0.02" 0.XXX: ±0.010"
 ANGLES: ±1°
 HOLE Ø: ±0.020" TO MODEL
 HOLE ⌀: ±0.010" TO MODEL

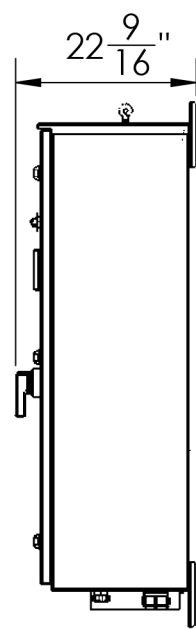
Drawing Title: Enterprise Small	
Part Number: See Model Table	Revision: 2
Material: N/A	
Finish:	
Drawn by: CAW	Checked/Approved by: TJM
Scale: 1:12	Sheet: 1 of 1
Date: 6/24/2020	Units: IN



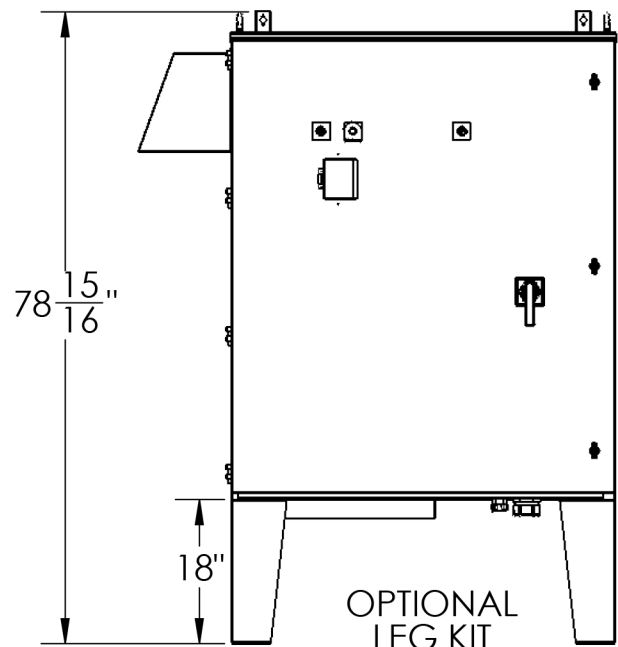
This drawing and any information contained within are the confidential and copyright property of Phase Technologies, LLC © and MUST NOT BE DISCLOSED, COPIED, LOANED in whole or part or used for any purpose without the written permission of Phase Technologies, LLC.



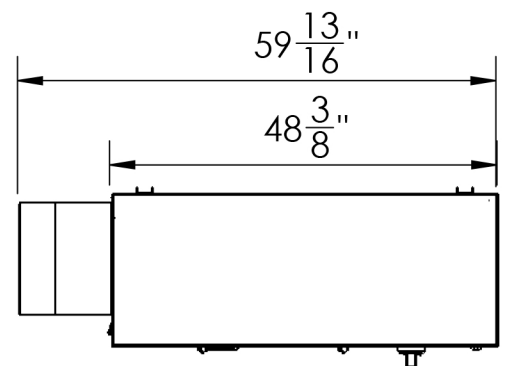
FRONT



SIDE

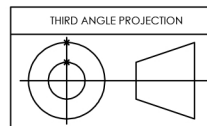


OPTIONAL LEG KIT



TOP

MODELS
3LH250
3LH260
3LH4125/DX4125
3LH4150/DX4150
3LH4200/DX4200
3LH4250/DX4250
3LH4300/DX4300
3LH4350/DX4350
3LH4400/DX4400
3LH4450/DX4450

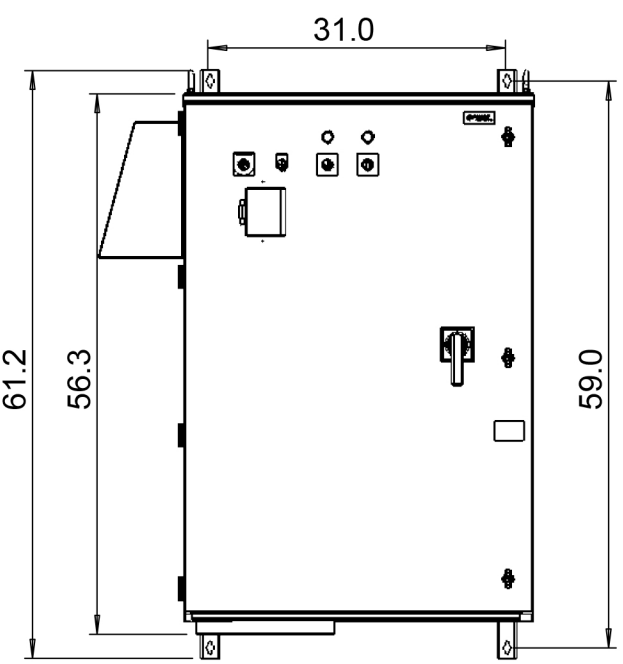


Drawing Title: 3LH/DX LARGE FRAME			
Part Number: N/A		Revision: 3	
Material: N/A			
Finish: N/A			
Drawn by: JLT		Checked/Approved by:	
Scale: 1:24	Sheet: 1 of 1	Date: 6/24/2020	Units: IN

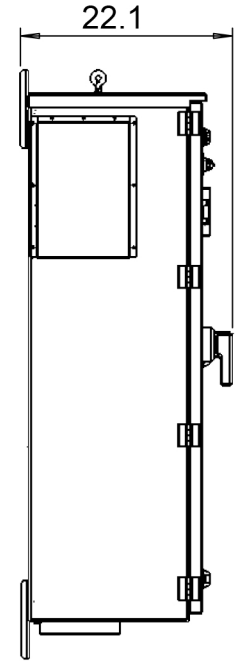
UNLESS OTHERWISE SPECIFIED:
 NO DIM, ±0.060" TO MODEL
 0.XX: ±0.02" 0.XXX: ±0.010"
 ANGLES: ±1°
 HOLE Ø: ±0.020" TO MODEL
 HOLE ⌀: ±0.010" TO MODEL



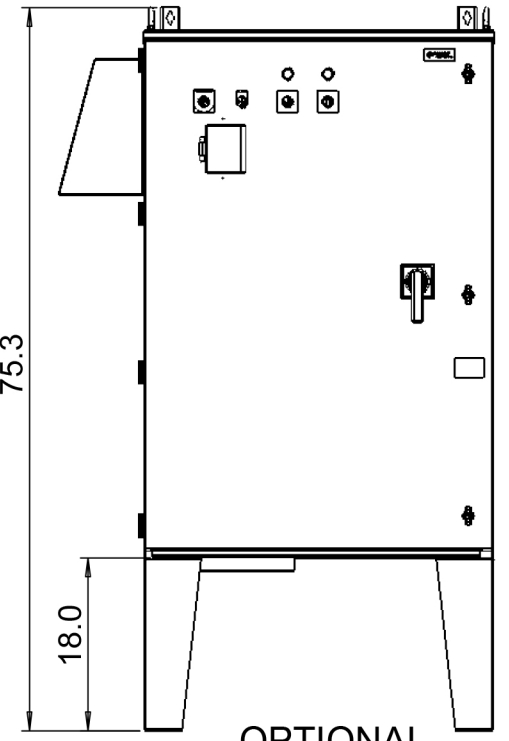
This drawing and any information contained within are the confidential and copyright property of Phase Technologies, LLC © and MUST NOT BE DISCLOSED, COPIED, LOANED in whole or part or used for any purpose without the written permission of Phase Technologies, LLC.



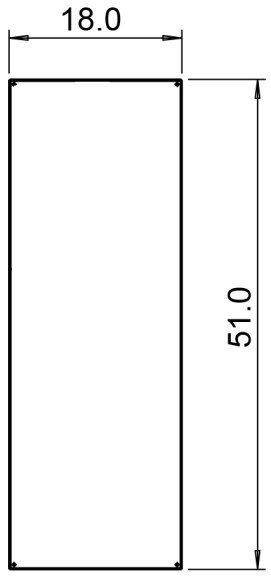
FRONT



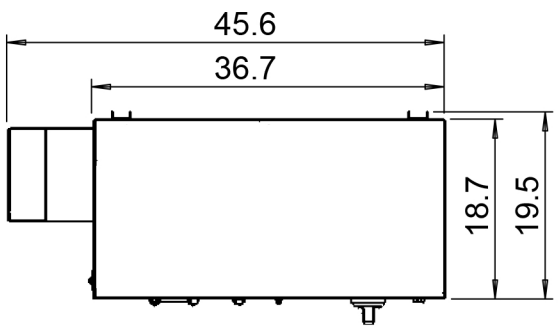
SIDE



OPTIONAL LEG KIT

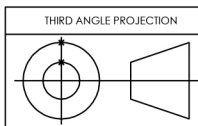


SUB PANEL DETAIL



TOP

MODELS
3LH230
3LH240
3LH460/DX460
3LH475/DX475
3LH4100/DX4100

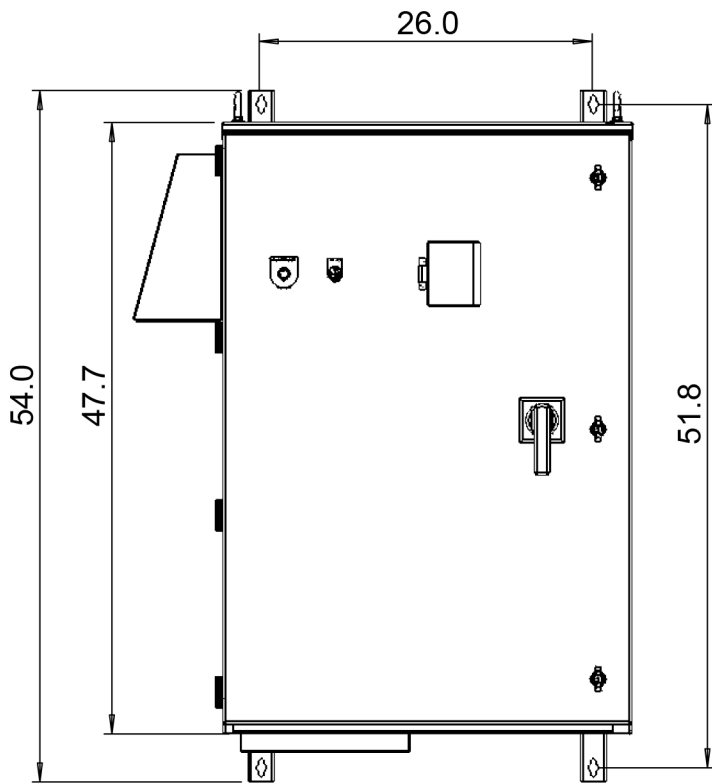


UNLESS OTHERWISE SPECIFIED:
 NO DIM, ± 0.060 " TO MODEL
 0.XX: ± 0.02 " 0.XXX: ± 0.010 "
 ANGLES: $\pm 1^\circ$
 HOLE ϕ : ± 0.020 " TO MODEL
 HOLE ϕ : ± 0.010 " TO MODEL

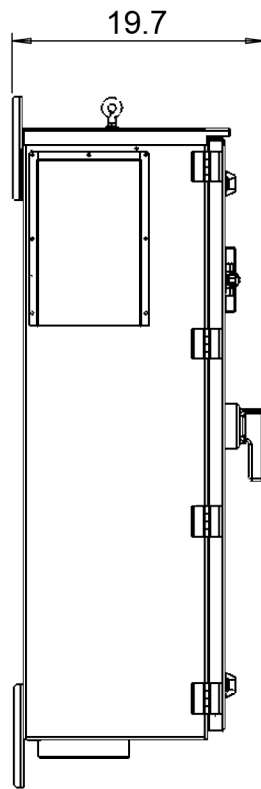
MASS = lb			
Drawing Title: 3LH MEDIUM			
Part Number: N/A		Revision: 0	
Material: N/A			
Finish: N/A			
Drawn by: JLT		Checked/Approved by:	
Scale: 1:20	Sheet: 1 of 1	Date: 06/23/20	Units: IN



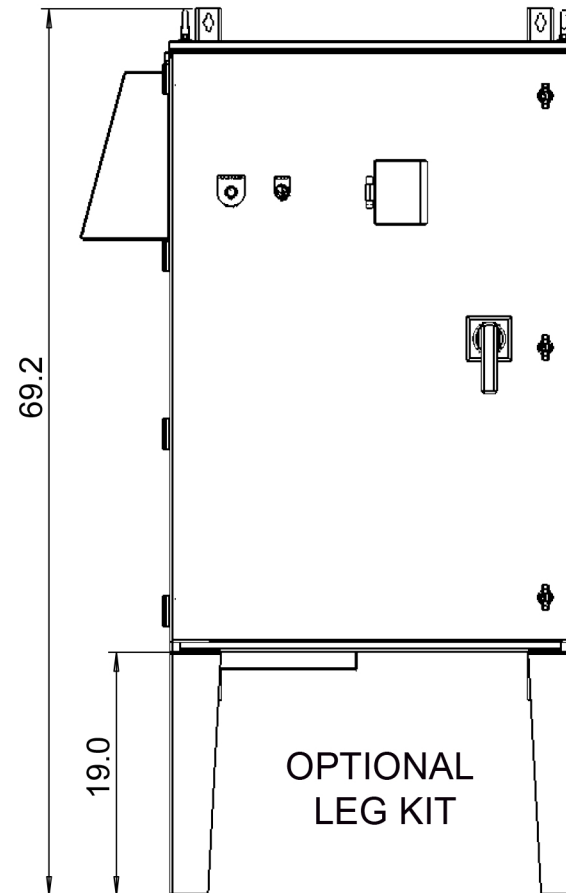
This drawing and any information contained within are the confidential and copyright property of Phase Technologies, LLC © and MUST NOT BE DISCLOSED, COPIED, LOANED in whole or part or used for any purpose without the written permission of Phase Technologies, LLC.



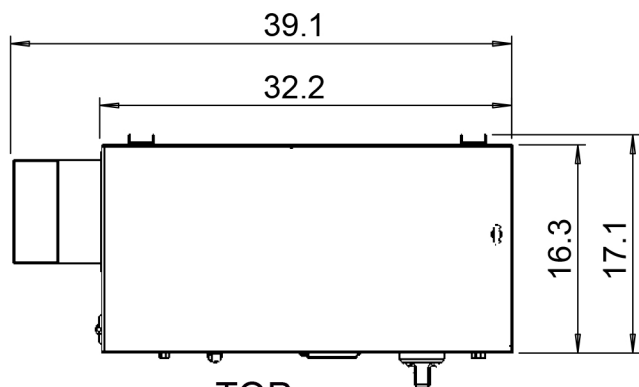
FRONT



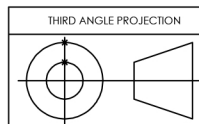
SIDE



OPTIONAL LEG KIT



TOP



UNLESS OTHERWISE SPECIFIED:
 NO DIM, ± 0.060 " TO MODEL
 0.XX: ± 0.02 " 0.XXX: ± 0.010 "
 ANGLES: $\pm 1^\circ$
 HOLE \varnothing : ± 0.020 " TO MODEL
 HOLE \varnothing : ± 0.010 " TO MODEL

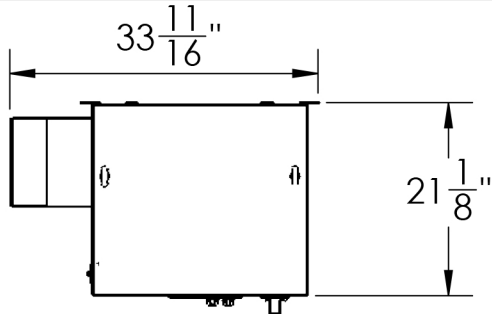
MASS = lb			
Drawing Title: 3LH SMALL FRAME			
Part Number: N/A		Revision: 0	
Material: N/A			
Finish: N/A			
Drawn by: JLT		Checked/Approved by:	
Scale: 1:15	Sheet: 1 of 1	Date: 6/24/2020	Units: IN

MODELS

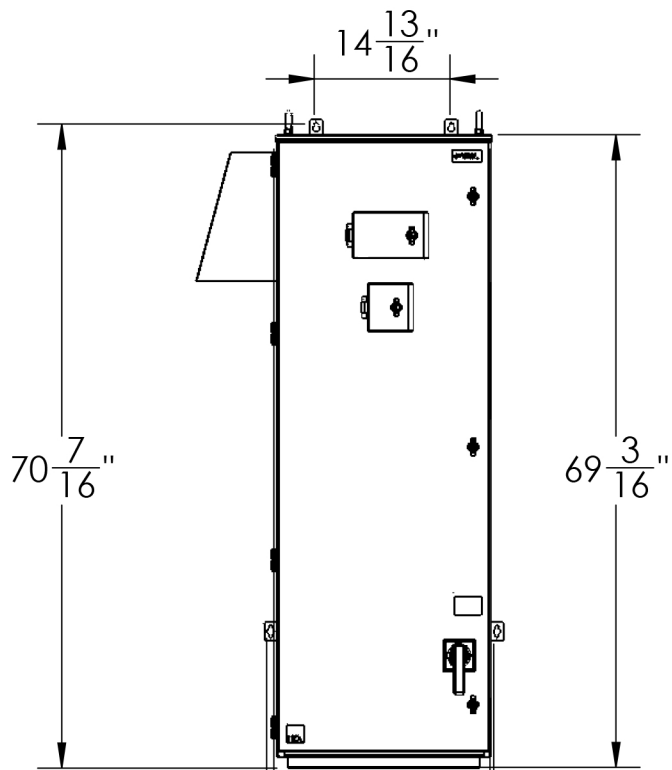
3LH220
3LH420/DX420
3LH430/DX430
3LH440/DX440
3LH450/DX450



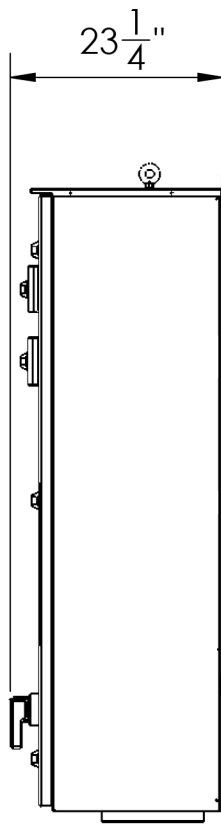
This drawing and any information contained within are the confidential and copyright property of Phase Technologies, LLC © and MUST NOT BE DISCLOSED, COPIED, LOANED in whole or part or used for any purpose without the written permission of Phase Technologies, LLC.



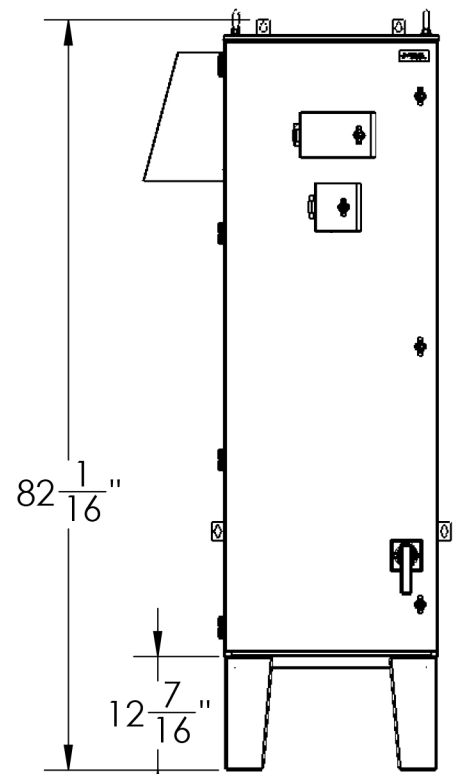
TOP



FRONT



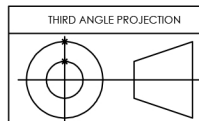
SIDE



OPTIONAL LEG KIT

MODELS

1LHS240
1LHS460
1LHS475
1LHS4100
3LHS250
3LHS260
3LHS4125/DXS4125
3LHS4150/DXS4150
3LHS4200/DXS4200



THIRD ANGLE PROJECTION

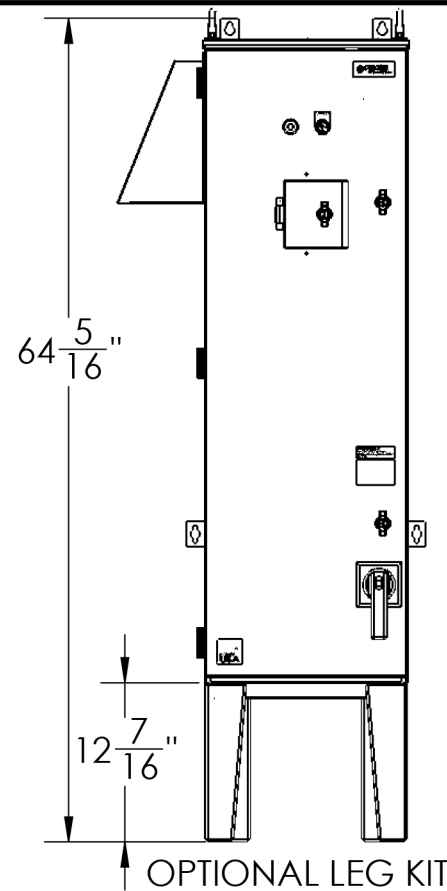
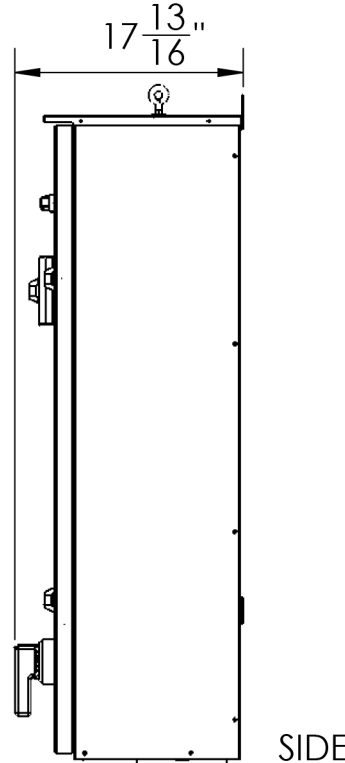
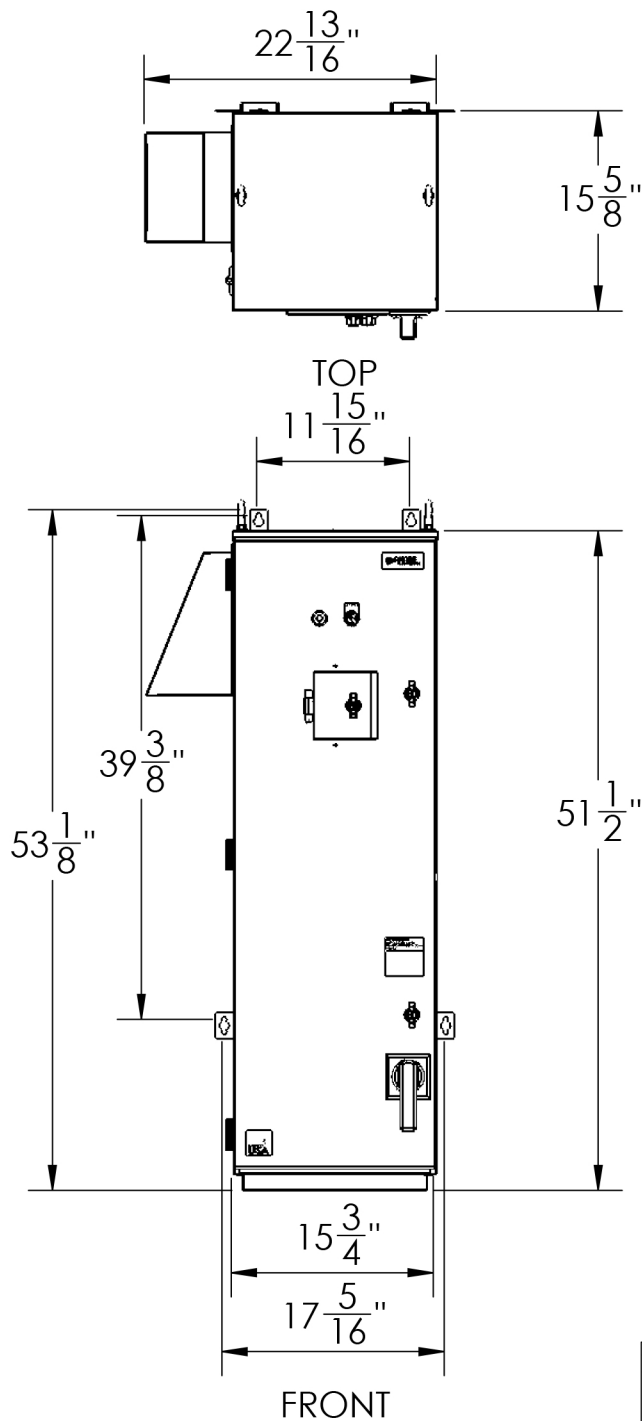
UNLESS OTHERWISE SPECIFIED:
 NO DIM, ±0.060" TO MODEL
 0.XX: ±0.02" 0.XXX: ±0.010"
 ANGLES: ±1°
 HOLE Ø: ±0.020" TO MODEL
 HOLE ⊕: ±0.010" TO MODEL

MASS = lb

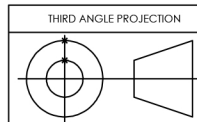
Drawing Title: LHS/DXS LARGE FRAME			
Part Number: N/A		Revision: 0	
Material: N/A			
Finish: N/A			
Drawn by: FEPI		Checked/Approved by: JLT	
Scale: 1:21	Sheet: 1 of 1	Date: 6/24/2020	Units: IN



This drawing and any information contained within are the confidential and copyright property of Phase Technologies, LLC © and MUST NOT BE DISCLOSED, COPIED, LOANED in whole or part or used for any purpose without the written permission of Phase Technologies, LLC.



MODELS
3LHS/1LHS 220
1LHS230
3LHS/1LHS/DXS 420
3LHS/1LHS/DXS 430
3LHS/1LHS/DXS440
3LHS/1LHS/DXS 450

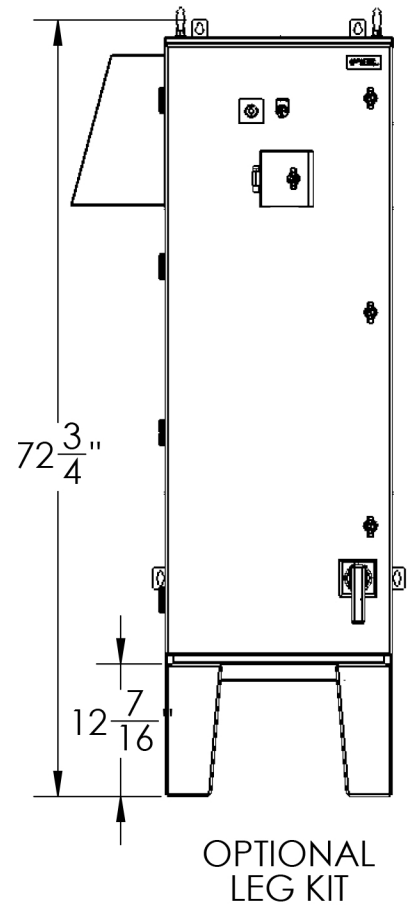
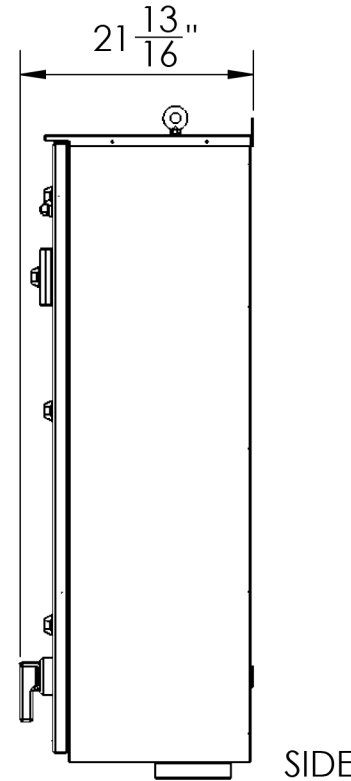
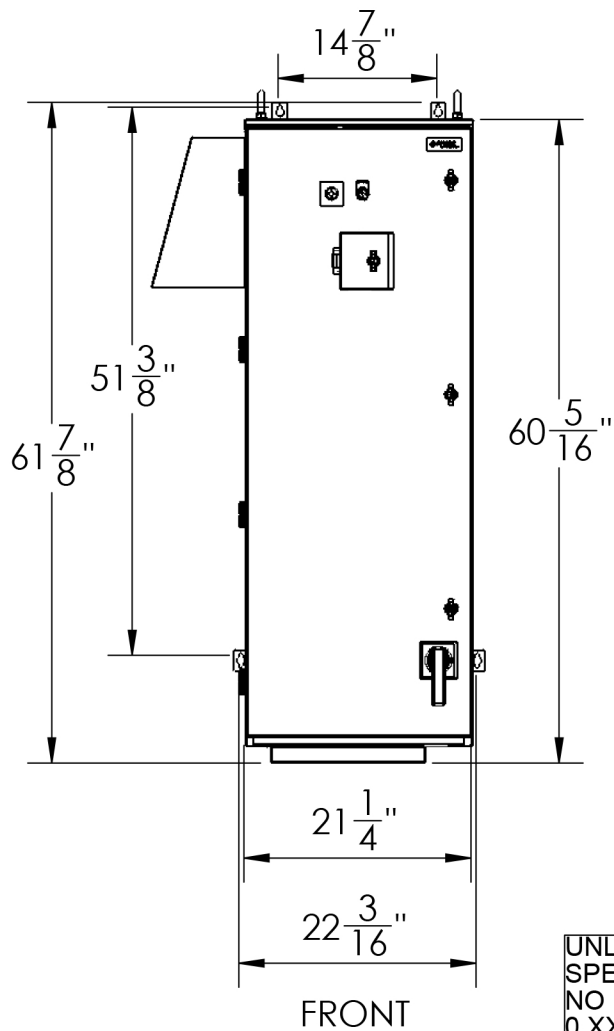
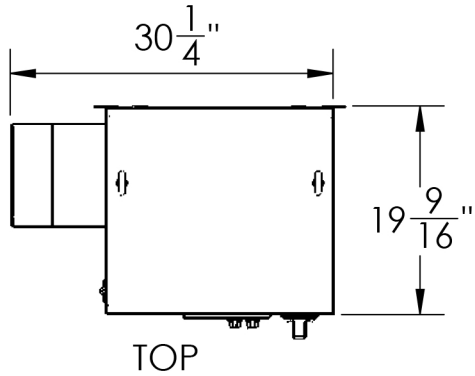


UNLESS OTHERWISE SPECIFIED:
 NO DIM, ±0.060" TO MODEL
 0.XX: ±0.02" 0.XXX: ±0.010"
 ANGLES: ±1°
 HOLE Ø: ±0.020" TO MODEL
 HOLE ⌀: ±0.010" TO MODEL

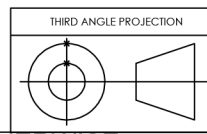
MASS = lb			
Drawing Title: 3LHS/1LHS/DXS SMALL FRAME			
Part Number: N/A		Revision: 0	
Material: N/A			
Finish: N/A			
Drawn by: FEPI		Checked/Approved by: JLT	
Scale: 1:15	Sheet: 1 of 1	Date: 6/25/2020	Units: IN



This drawing and any information contained within are the confidential and copyright property of Phase Technologies, LLC © and MUST NOT BE DISCLOSED, COPIED, LOANED in whole or part or used for any purpose without the written permission of Phase Technologies, LLC.



MODELS
3LHS230
3LHS240
3LHS460/DXS460
3LHS475/DXS475
3LHS4100/DXS4100



UNLESS OTHERWISE SPECIFIED:
 NO DIM, ±0.060" TO MODEL
 0.XX: ±0.02" 0.XXX: ±0.010"
 ANGLES: ±1°
 HOLE Ø: ±0.020" TO MODEL
 HOLE ⌀: ±0.010" TO MODEL

Drawing Title: 3LHS/DXS MEDIUM FRAME			
Part Number: N/A		Revision: 0	
Material: N/A			
Finish: N/A			
Drawn by: FEPI		Checked/Approved by: JLT	
Scale: 1:18	Sheet: 1 of 1	Date: 6/24/2020	Units: IN



This drawing and any information contained within are the confidential and copyright property of Phase Technologies, LLC © and MUST NOT BE DISCLOSED, COPIED, LOANED in whole or part or used for any purpose without the written permission of Phase Technologies, LLC.