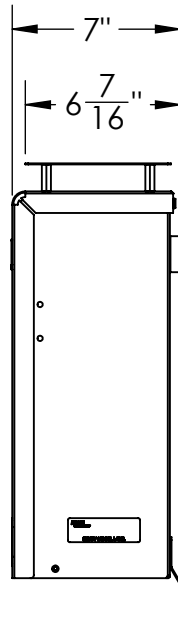
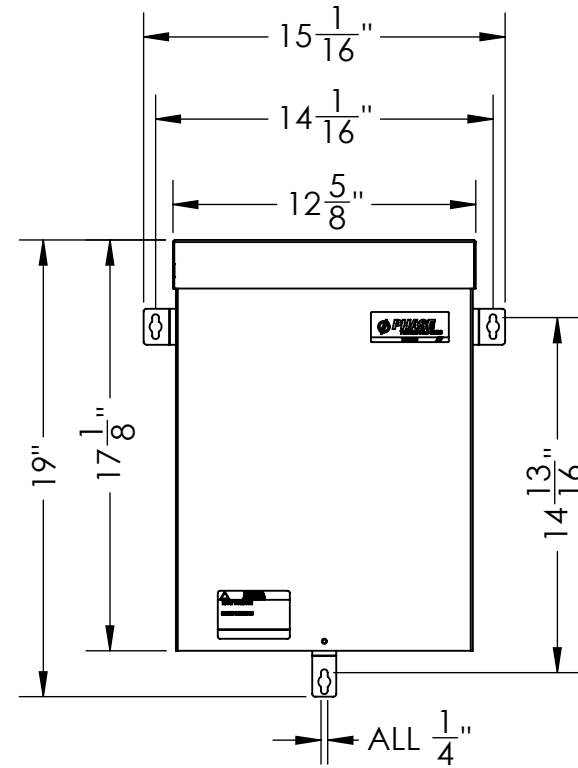


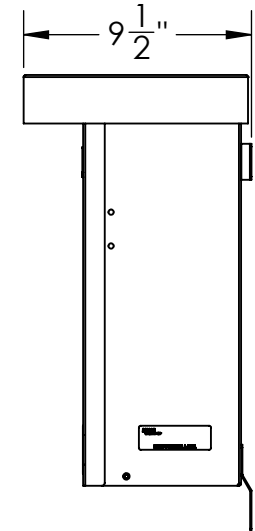
FRONT
TYPE 1



SIDE
TYPE 1



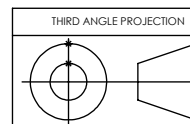
FRONT
TYPE 3R



SIDE
TYPE 3R

MODELS

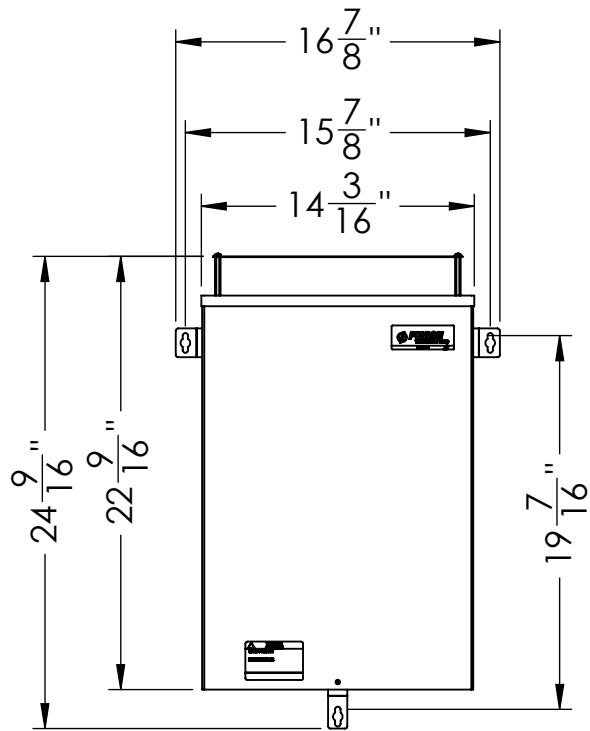
TYPE 1	TYPE 3R
DV009E1	DV009E3
DV013E1	DV013E3
DV018E1	DV018E3
SW009E1	SW009E3
SW013E1	SW013E3
SW018E1	SW018E3



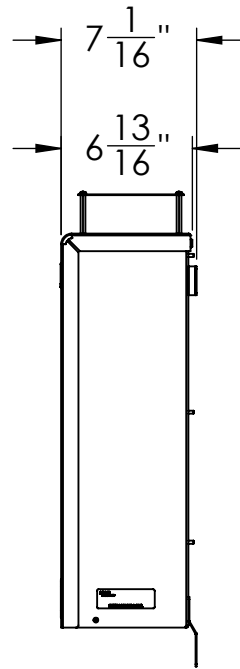
Drawing Title: FILTER ENCLOSURE A			
Part Number: SEE TABLE		Revision: 0	
Material: N/A			
Finish: N/A			
Drawn by: AAR		Checked/Approved by:	
Scale: N/A	Sheet: 1 of 1	Date: 2/16/2023	Units: IN



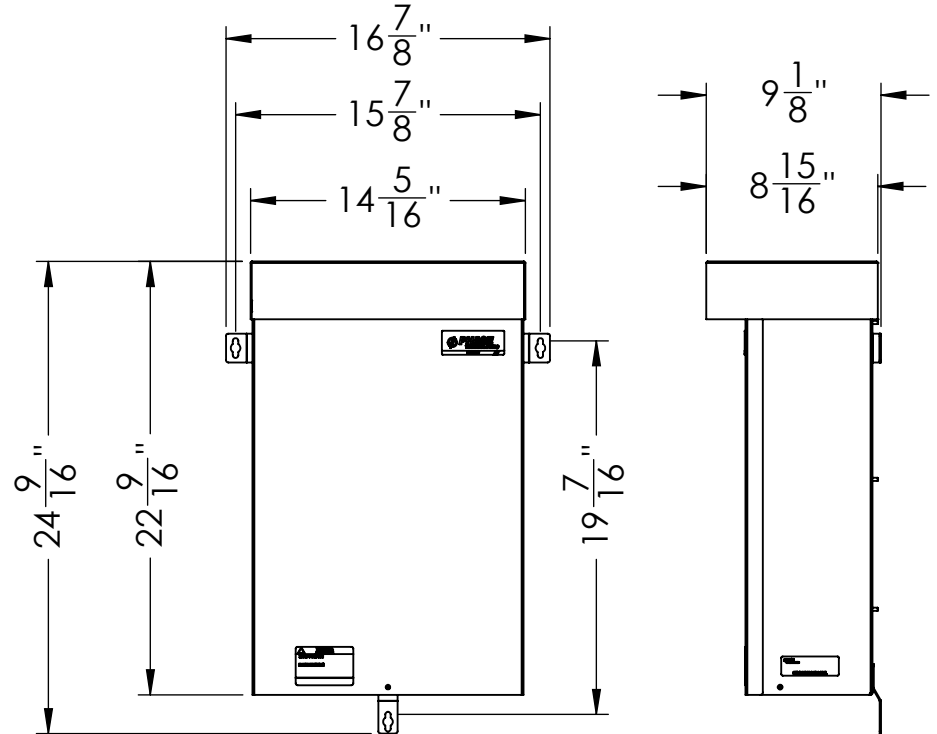
This drawing and any information contained within are the confidential and copyright property of Phase Technologies, LLC © and MUST NOT BE DISCLOSED, COPIED, LOANED in whole or part or used for any purpose without the written permission of Phase Technologies, LLC.



FRONT
TYPE 1



SIDE
TYPE 1



FRONT
TYPE 3R

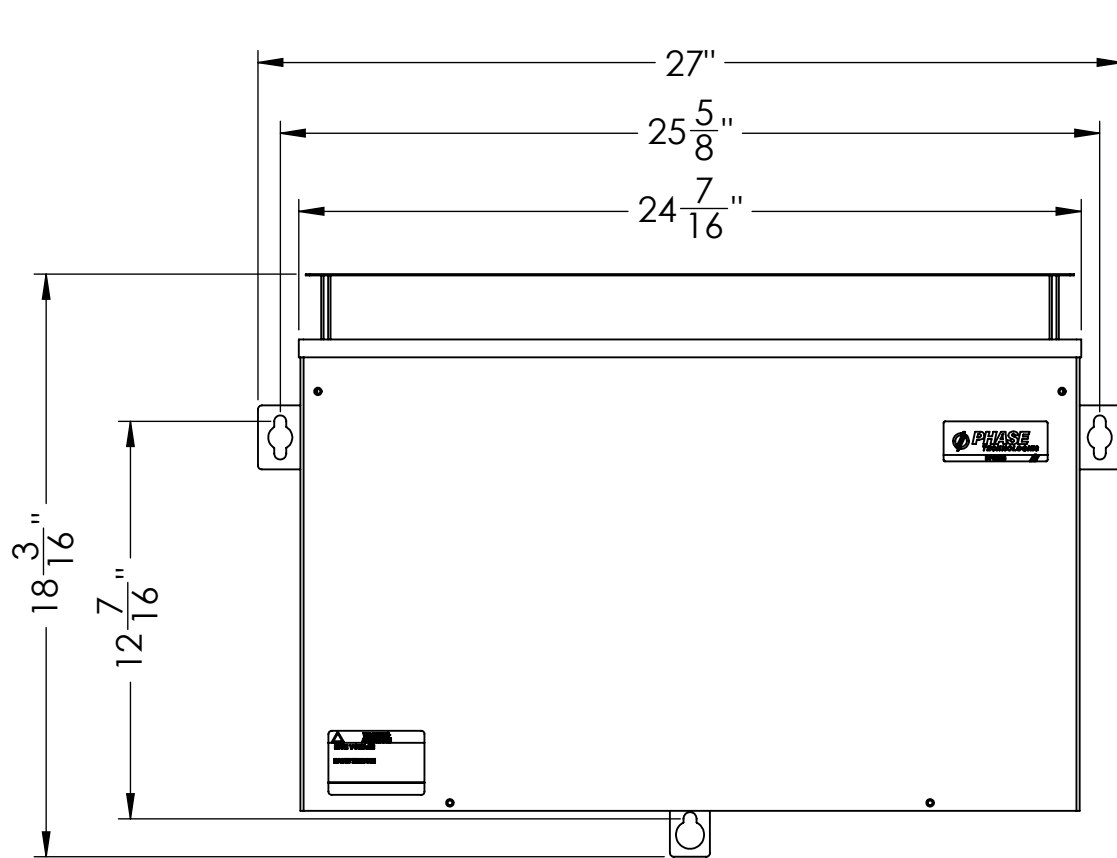
SIDE
TYPE 3R

MODELS	
TYPE 1	TYPE 3R
DV031E1	DV031E3
DV045E1	DV045E3
DV060E1	DV060E3
DV077E1	DV077E3

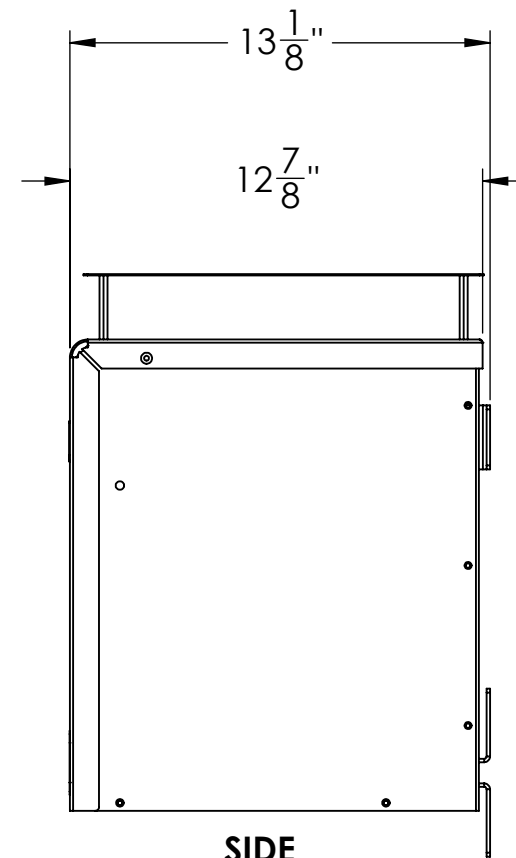
Drawing Title: DV B Enclosure			
Part Number: SEE TABLE		Revision: 1	
Material: N/A			
Finish: N/A			
Drawn by: OH		Checked/Approved by: AAR	
Scale: 1:10	Sheet: 1 of 1	Date: 2/2/2023	Units: IN



This drawing and any information contained within are the confidential and copyright property of Phase Technologies, LLC © and MUST NOT BE DISCLOSED, COPIED, LOANED in whole or part or used for any purpose without the written permission of Phase Technologies, LLC.

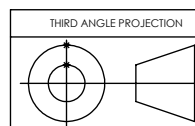


**FRONT
TYPE 1**



**SIDE
TYPE 1**

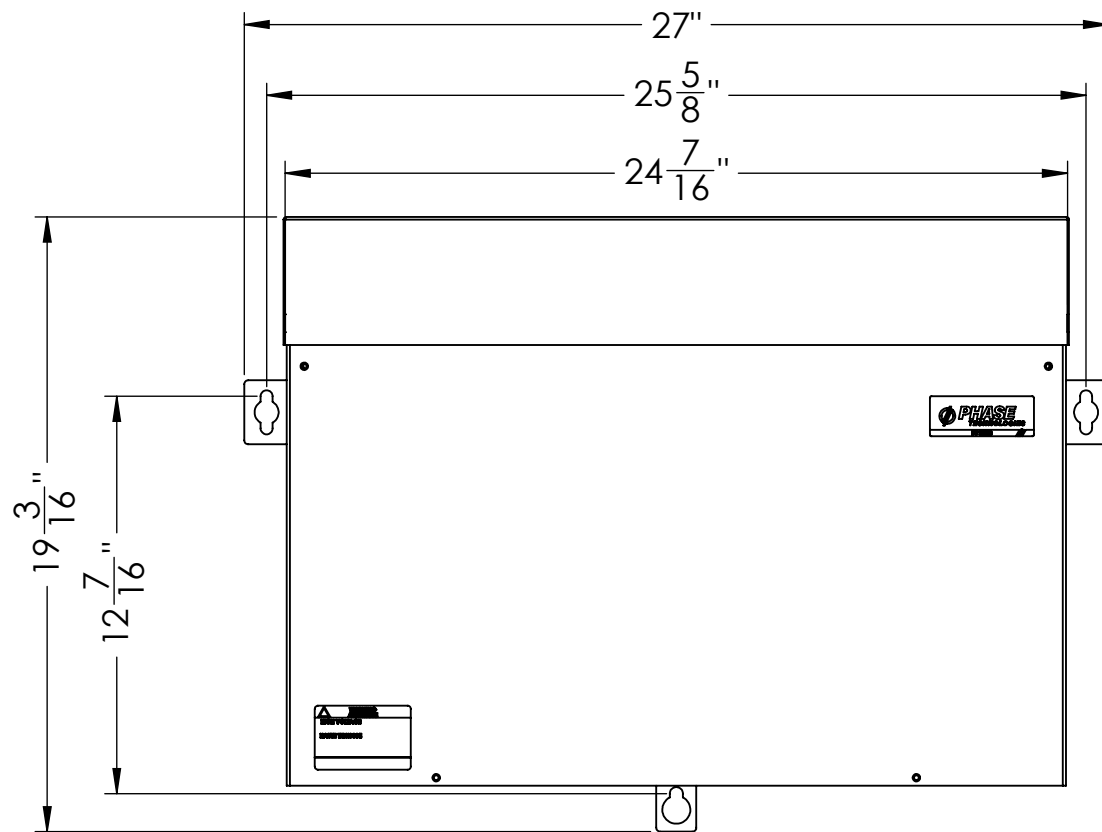
MODELS
TYPE 1
DV090E1
DV107E1
DV128E1



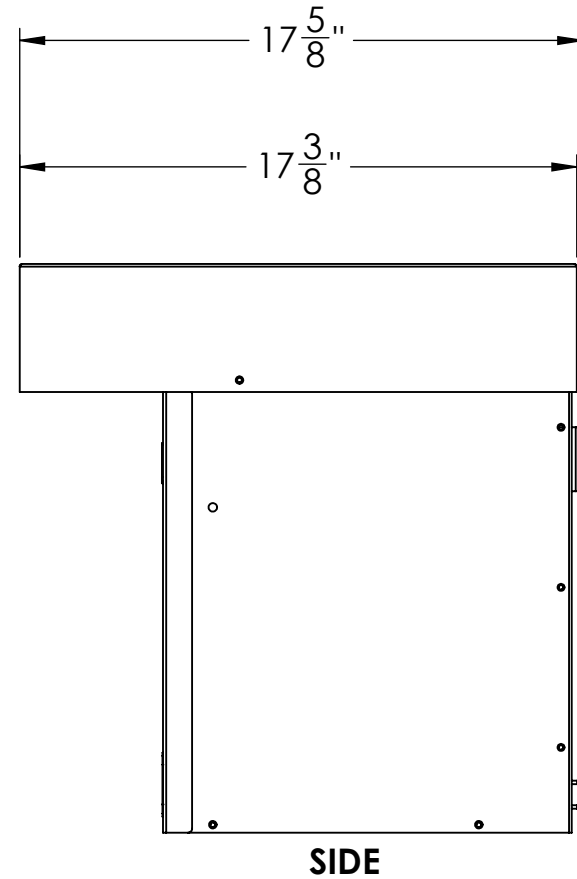
Drawing Title: DV C Enclosure			
Part Number: SEE TABLE		Revision: 0	
Material: N/A			
Finish: N/A			
Drawn by: BB		Checked/Approved by: AAR	
Scale: 1:6	Sheet: 1 of 3	Date: 6/28/2023	Units: IN



This drawing and any information contained within are the confidential and copyright property of Phase Technologies, LLC © and MUST NOT BE DISCLOSED, COPIED, LOANED in whole or part or used for any purpose without the written permission of Phase Technologies, LLC.

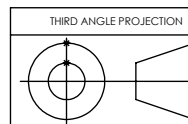


**FRONT
TYPE 3R**




**SIDE
TYPE 3R**

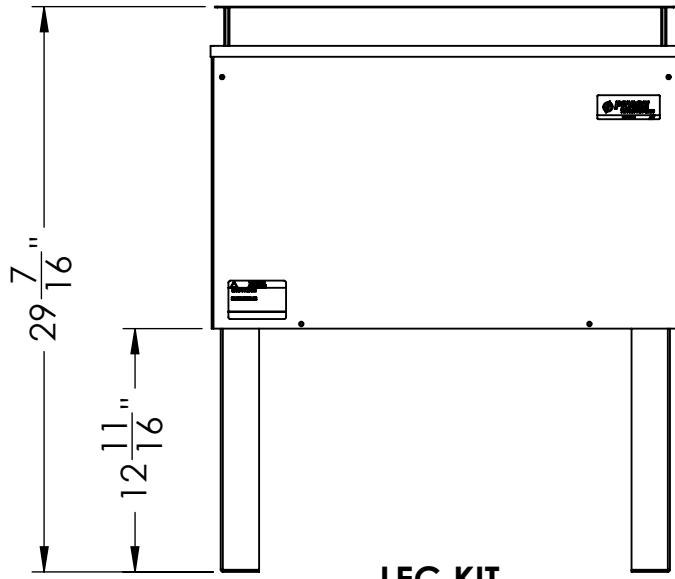
MODELS
TYPE 3R
DV090E3
DV107E3
DV128E3



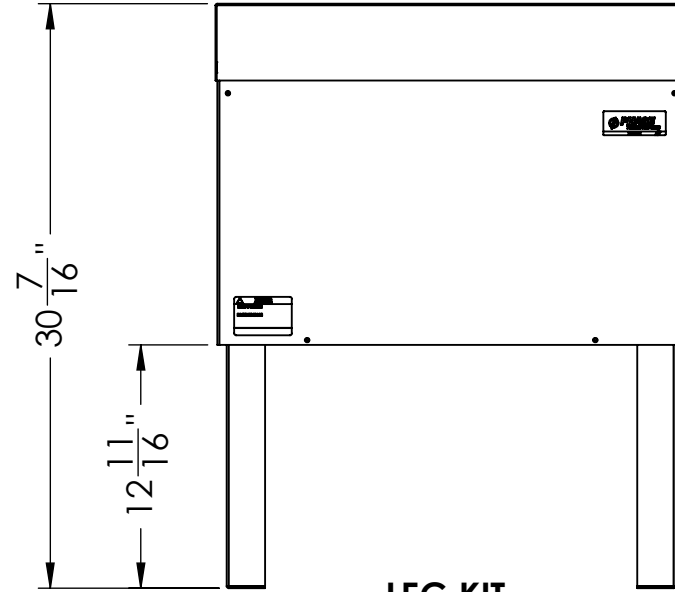
Drawing Title: DV C Enclosure			
Part Number: SEE TABLE		Revision: 0	
Material: N/A			
Finish: N/A			
Drawn by: BB		Checked/Approved by: AAR	
Scale: 1:6	Sheet: 2 of 3	Date: 6/28/2023	Units: IN



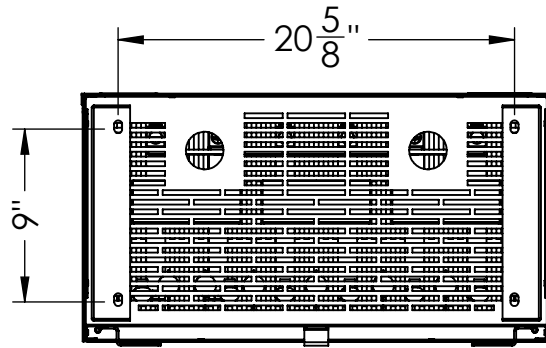
This drawing and any information contained within are the confidential and copyright property of Phase Technologies, LLC © and MUST NOT BE DISCLOSED, COPIED, LOANED in whole or part or used for any purpose without the written permission of Phase Technologies, LLC.



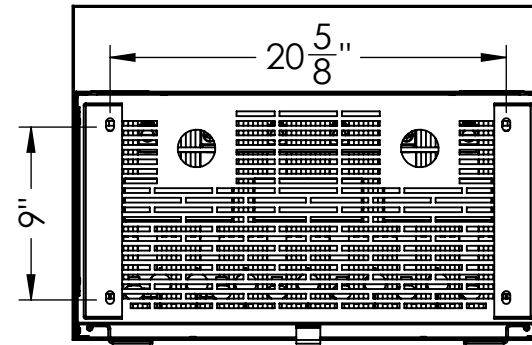
**LEG KIT
TYPE 1**



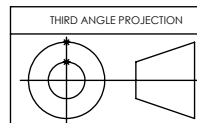
**LEG KIT
TYPE 3R**



**LEG KIT MOUNTING
DIMENSIONS**



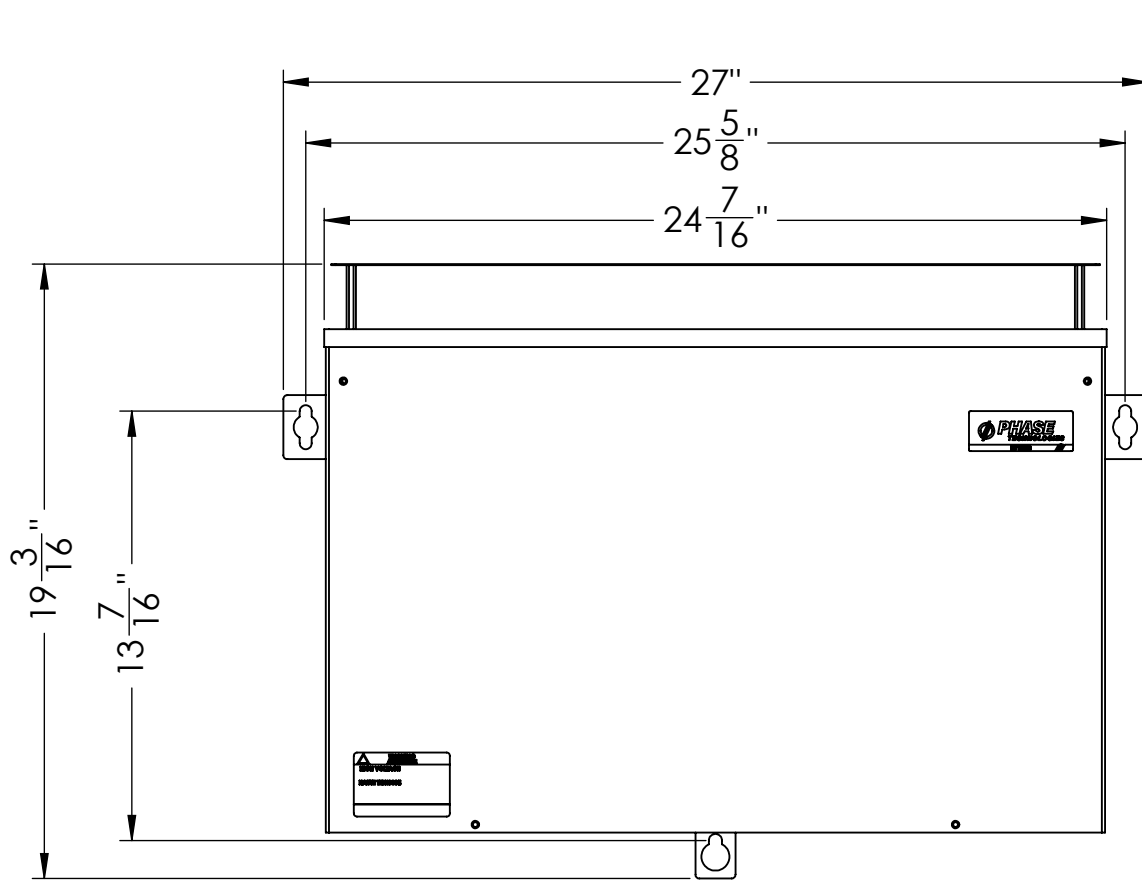
**LEG KIT MOUNTING
DIMENSIONS**



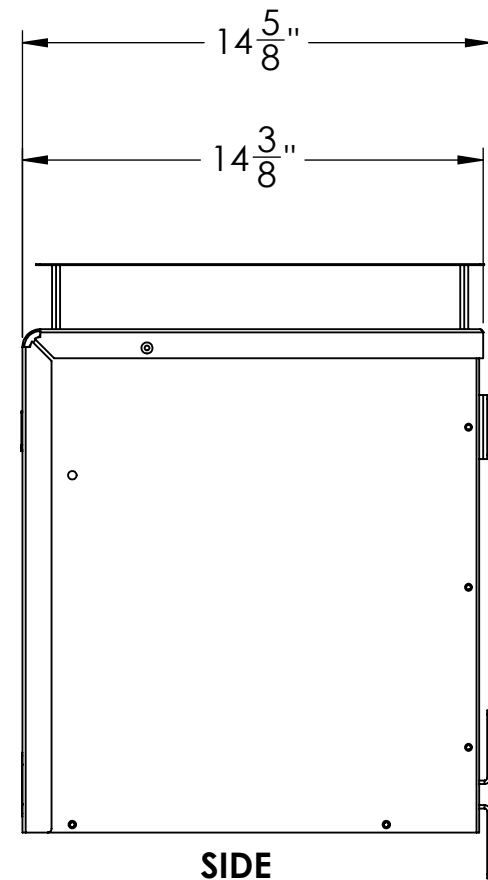
Drawing Title: DV C Enclosure			
Part Number: SEE TABLE		Revision: 0	
Material: N/A			
Finish: N/A			
Drawn by: BB		Checked/Approved by: AAR	
Scale: 1:10	Sheet: 3 of 3	Date: 6/28/2023	Units: IN



This drawing and any information contained within are the confidential and copyright property of Phase Technologies, LLC © and MUST NOT BE DISCLOSED, COPIED, LOANED in whole or part or used for any purpose without the written permission of Phase Technologies, LLC.

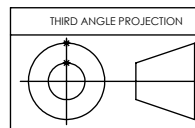


**FRONT
TYPE 1**



**SIDE
TYPE 1**

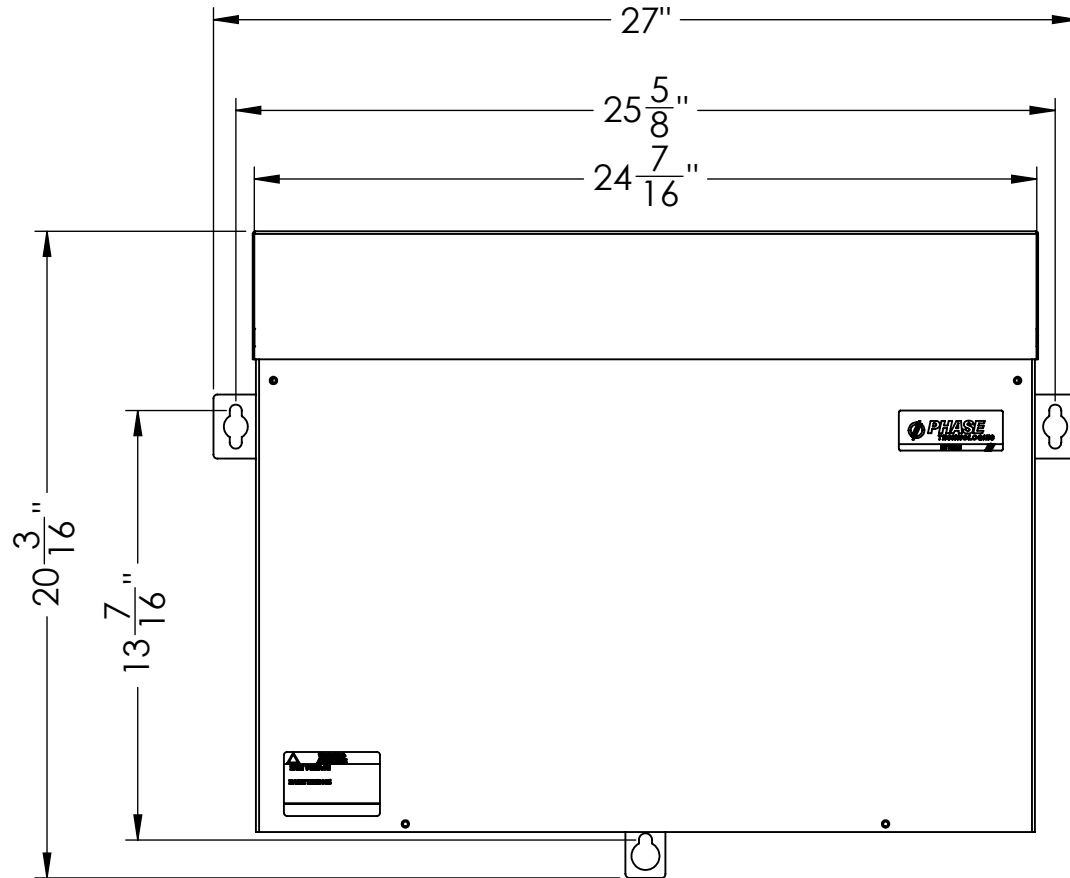
MODELS
TYPE 1
DV160E1
DV200E1
DV250E1



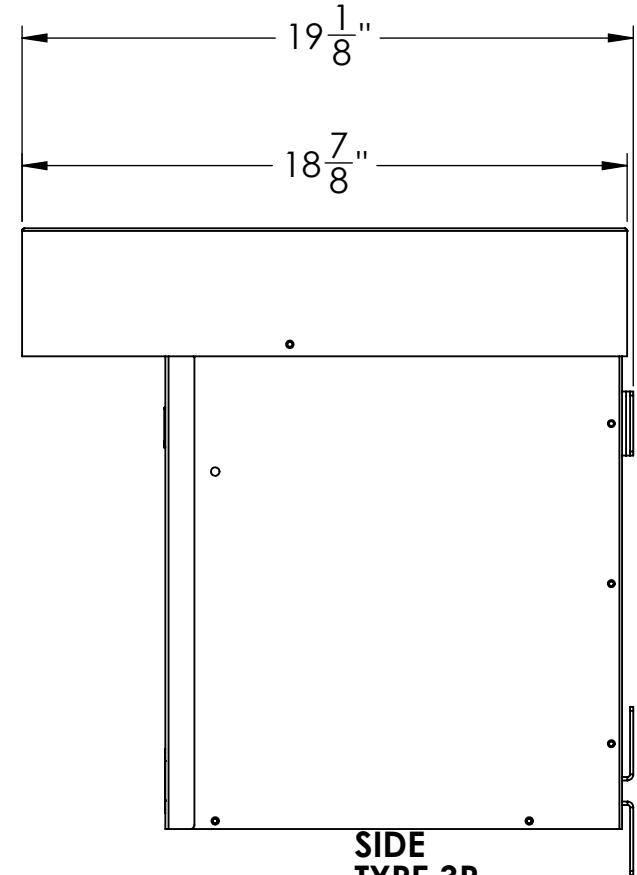
Drawing Title: DV D Enclosure			
Part Number: SEE TABLE		Revision: 0	
Material: N/A			
Finish: N/A			
Drawn by: BB		Checked/Approved by: AAR	
Scale: 1:6	Sheet: 1 of 3	Date: 6/28/2023	Units: IN



This drawing and any information contained within are the confidential and copyright property of Phase Technologies, LLC © and MUST NOT BE DISCLOSED, COPIED, LOANED in whole or part or used for any purpose without the written permission of Phase Technologies, LLC.

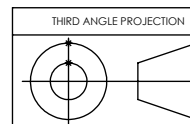



**FRONT
TYPE 3R**

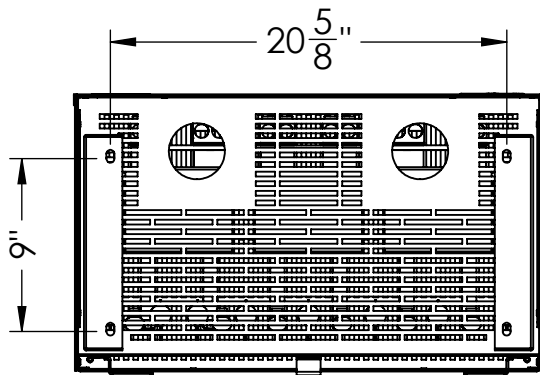
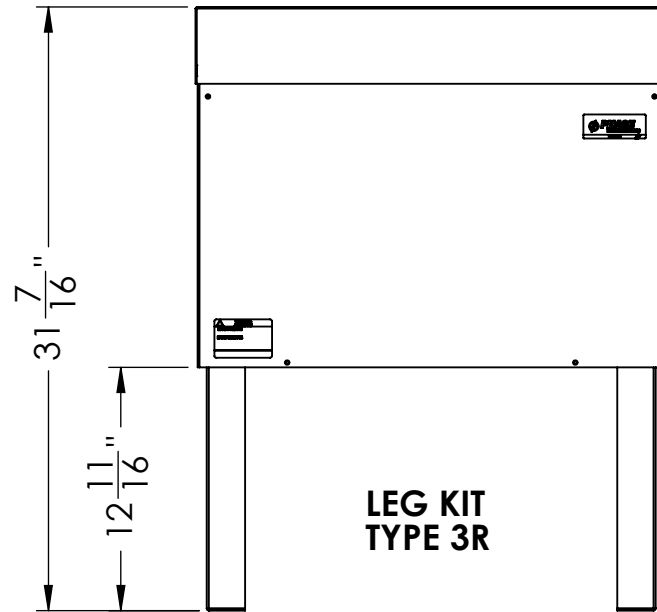
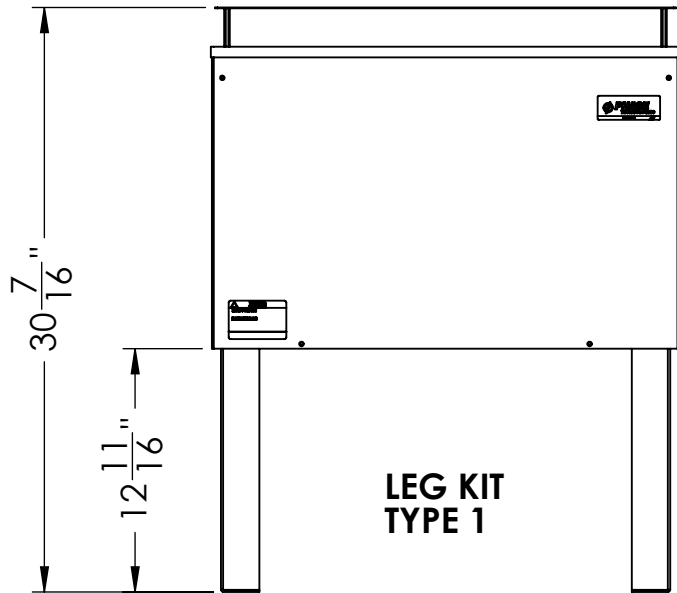


**SIDE
TYPE 3R**

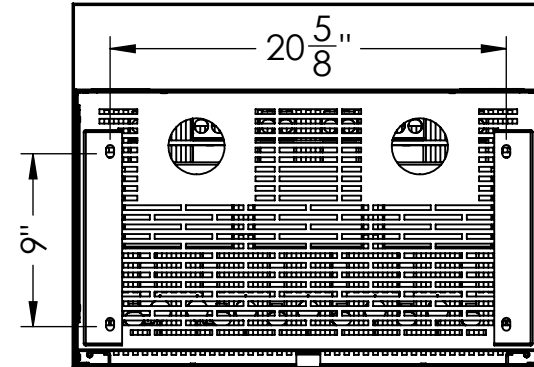
MODELS
TYPE 3R
DV160E3
DV200E3
DV250E3



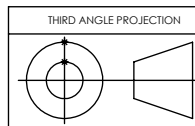
Drawing Title: DV D Enclosure				
Part Number: SEE TABLE		Revision: 0		
Material: N/A				This drawing and any information contained within are the confidential and copyright property of Phase Technologies, LLC © and MUST NOT BE DISCLOSED, COPIED, LOANED in whole or part or used for any purpose without the written permission of Phase Technologies, LLC.
Finish: N/A				
Drawn by: BB		Checked/Approved by: AAR		
Scale: 1:6	Sheet: 2 of 3	Date: 6/28/2023	Units: IN	




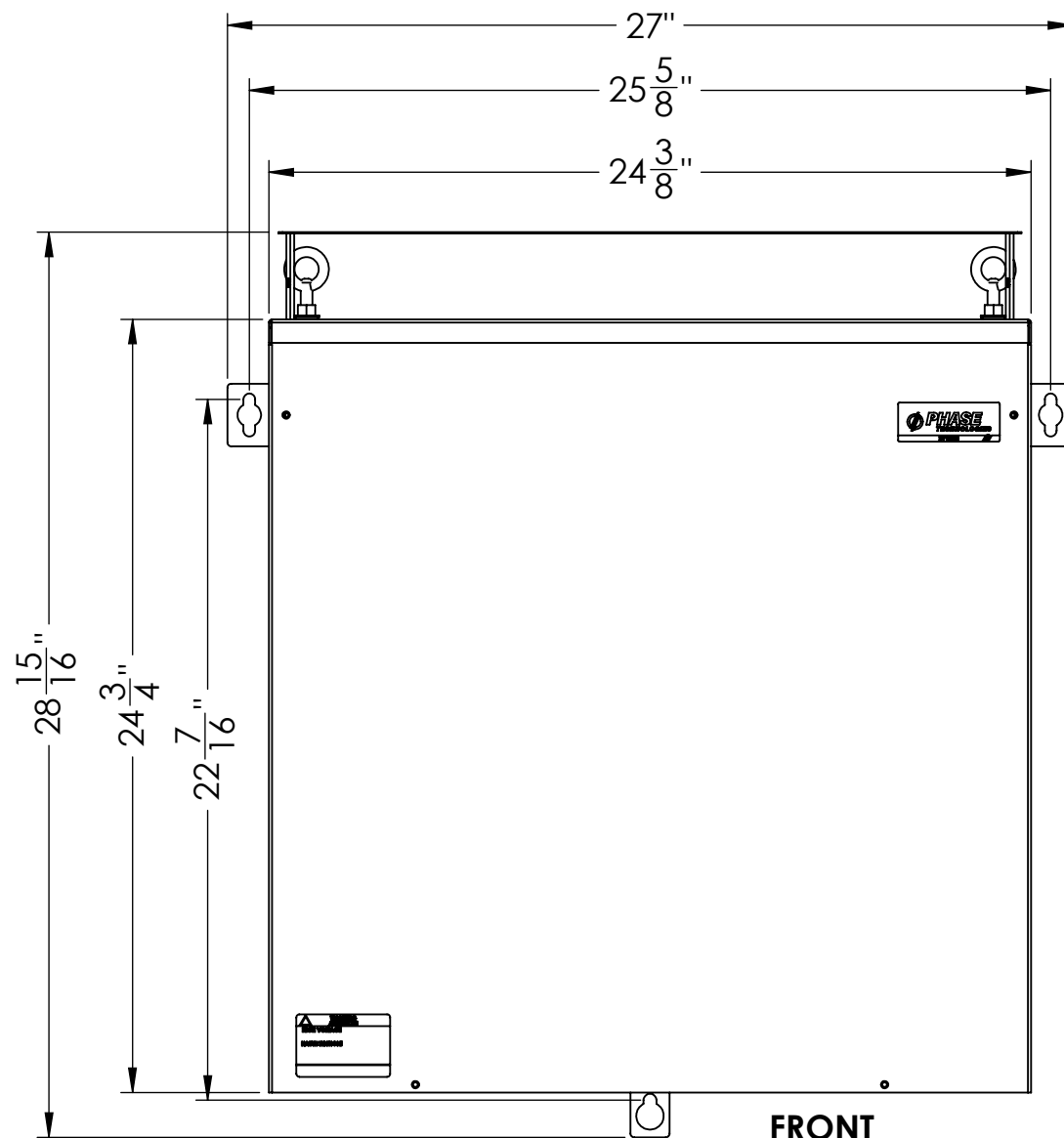
LEG KIT MOUNTING DIMENSIONS



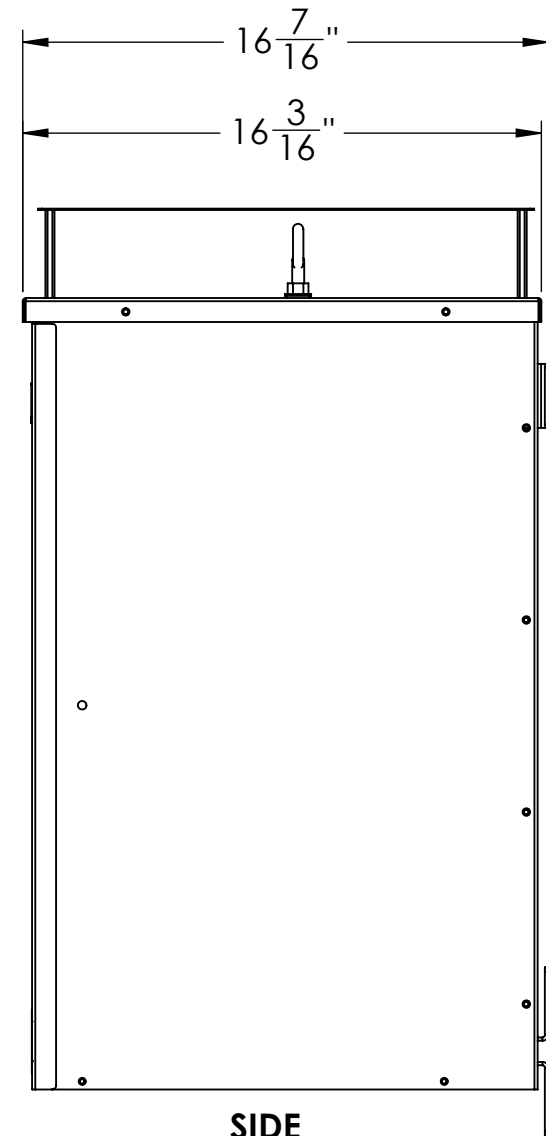
LEG KIT MOUNTING DIMENSIONS



Drawing Title: DV D Enclosure					
Part Number: SEE TABLE		Revision: 0			
Material: N/A				<p>This drawing and any information contained within are the confidential and copyright property of Phase Technologies, LLC © and MUST NOT BE DISCLOSED, COPIED, LOANED in whole or part or used for any purpose without the written permission of Phase Technologies, LLC.</p>	
Finish: N/A					
Drawn by: BB		Checked/Approved by: AAR			
Scale: 1:10	Sheet: 3 of 3	Date: 6/28/2023	Units: IN		

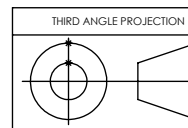


**FRONT
TYPE 1**



**SIDE
TYPE 1**

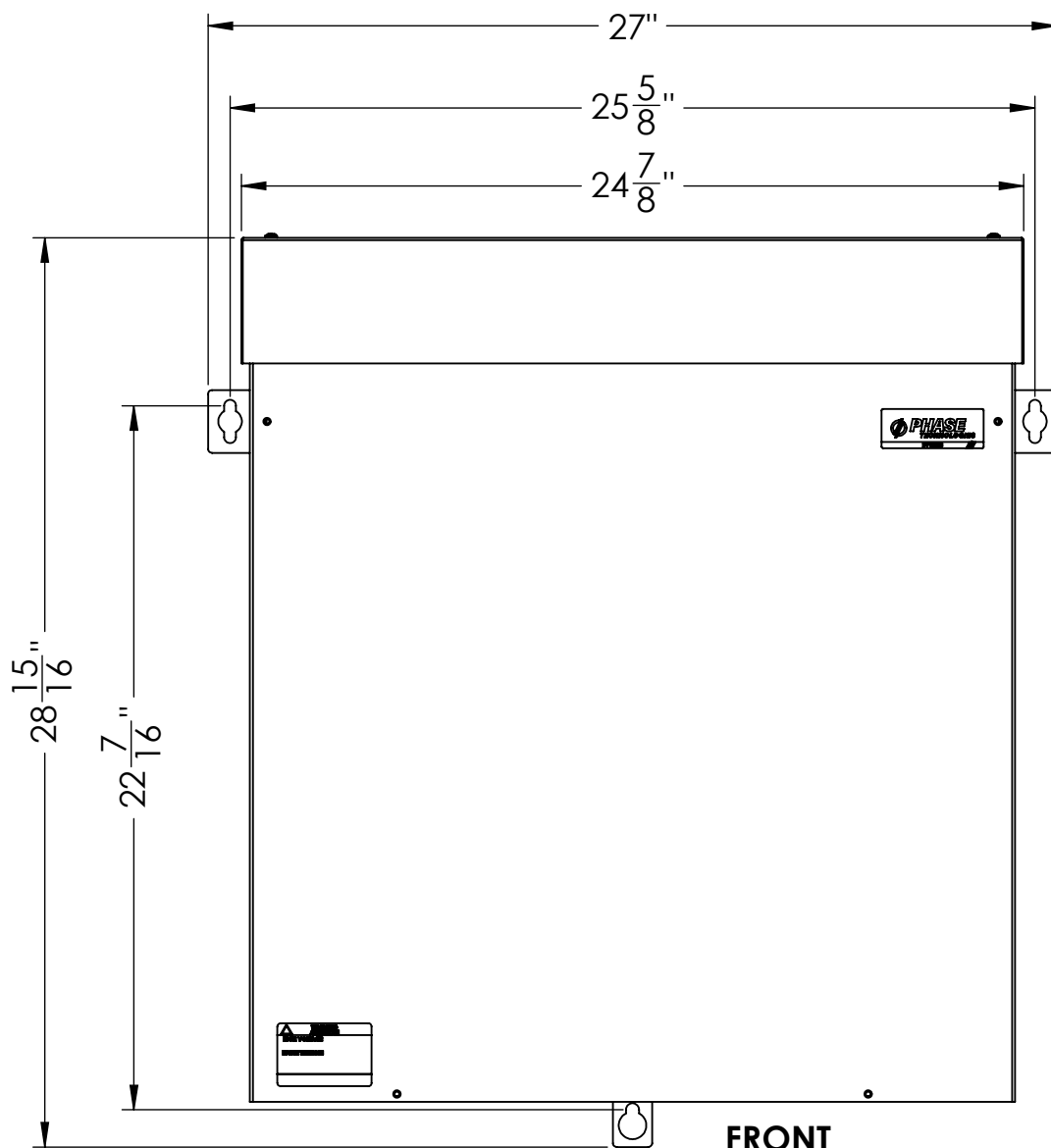
MODELS
TYPE 1
DV362E1
DV480E1



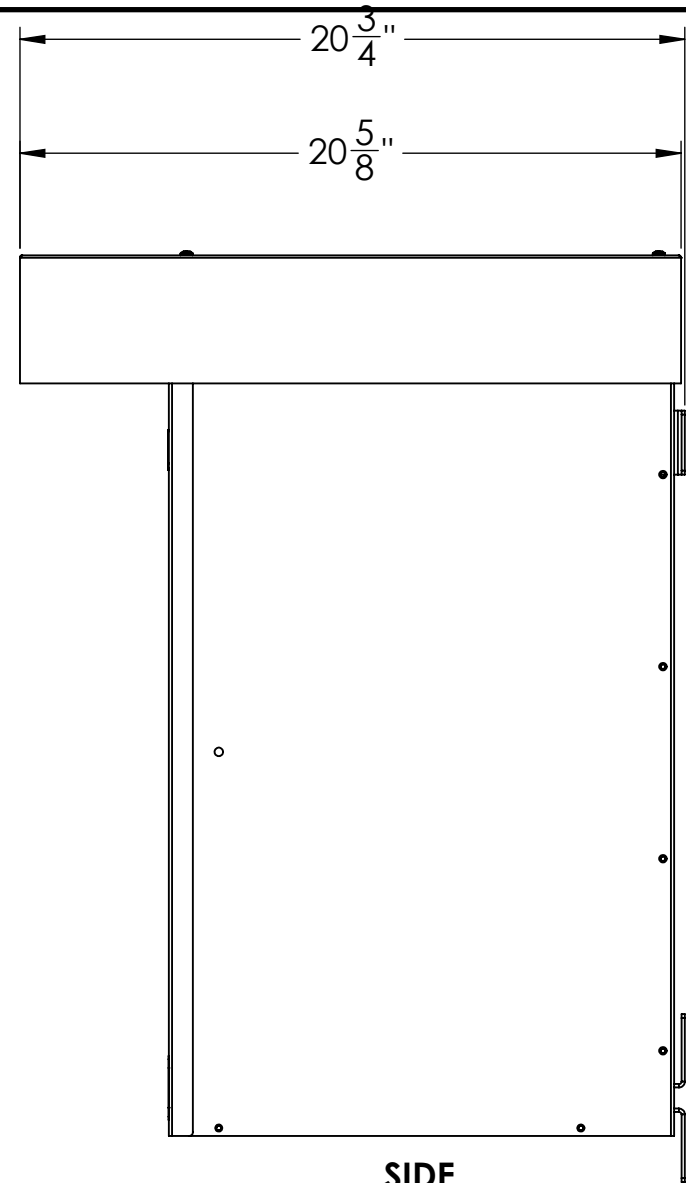
Drawing Title: DV E Enclosure			
Part Number: SEE TABLE		Revision: 0	
Material: N/A			
Finish: N/A			
Drawn by: BB		Checked/Approved by: AAR	
Scale: 1:6	Sheet: 1 of 3	Date: 6/28/2023	Units: IN



This drawing and any information contained within are the confidential and copyright property of Phase Technologies, LLC © and MUST NOT BE DISCLOSED, COPIED, LOANED in whole or part or used for any purpose without the written permission of Phase Technologies, LLC.

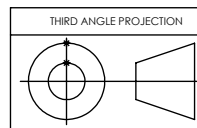


**FRONT
TYPE 3R**



**SIDE
TYPE 3R**

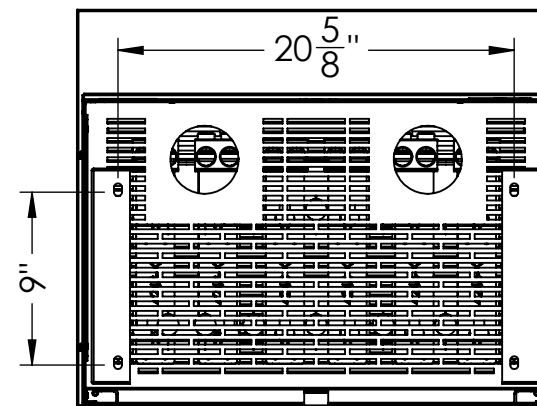
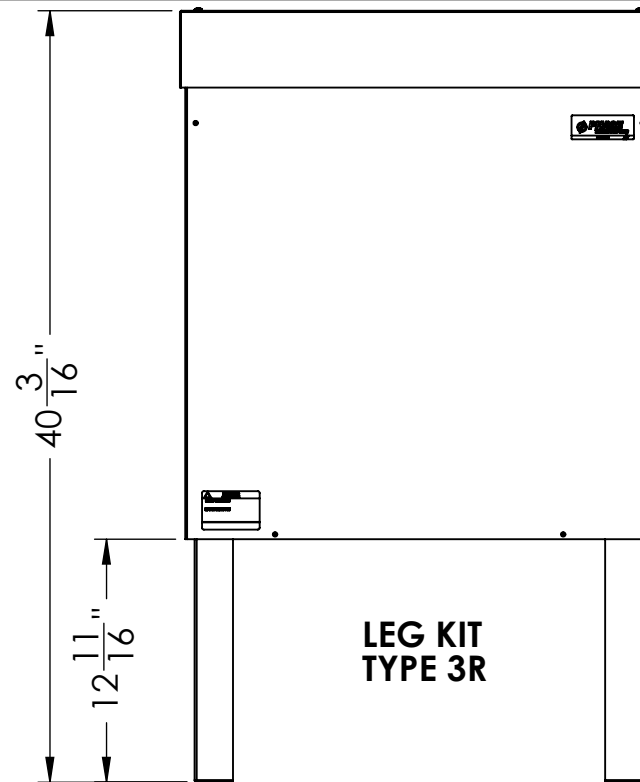
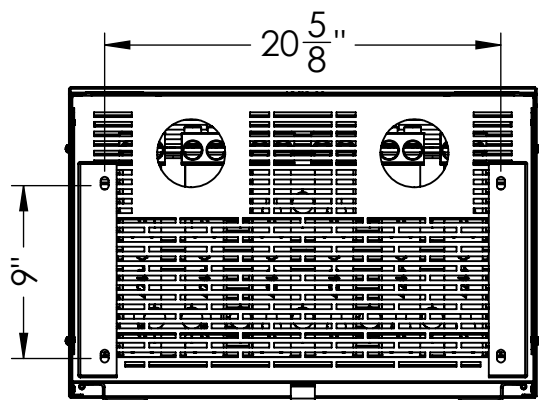
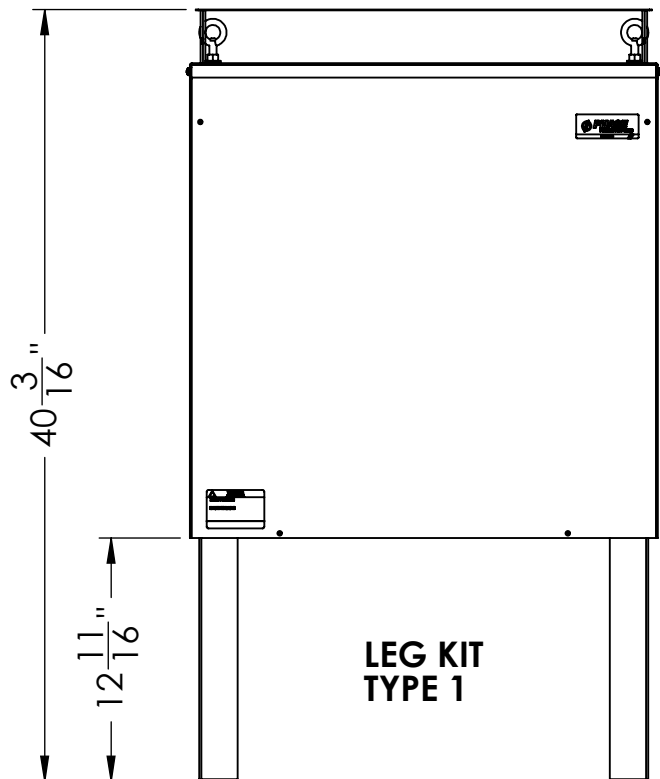
MODELS
TYPE 3R
DV362E3
DV480E3



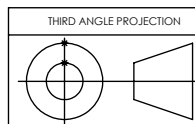
Drawing Title: DV E Enclosure		
Part Number: SEE TABLE	Revision: 0	
Material: N/A		
Finish: N/A		
Drawn by: BB		Checked/Approved by: AAR
Scale: 1:6	Sheet: 2 of 3	Date: 6/28/2023
		Units: IN



This drawing and any information contained within are the confidential and copyright property of Phase Technologies, LLC © and MUST NOT BE DISCLOSED, COPIED, LOANED in whole or part or used for any purpose without the written permission of Phase Technologies, LLC.



LEG KIT MOUNTING DIMENSIONS



Drawing Title: DV E Enclosure			
Part Number: SEE TABLE		Revision: 0	
Material: N/A			
Finish: N/A			
Drawn by: BB		Checked/Approved by: AAR	
Scale: 1:10	Sheet: 3 of 3	Date: 6/28/2023	Units: IN



This drawing and any information contained within are the confidential and copyright property of Phase Technologies, LLC © and MUST NOT BE DISCLOSED, COPIED, LOANED in whole or part or used for any purpose without the written permission of Phase Technologies, LLC.