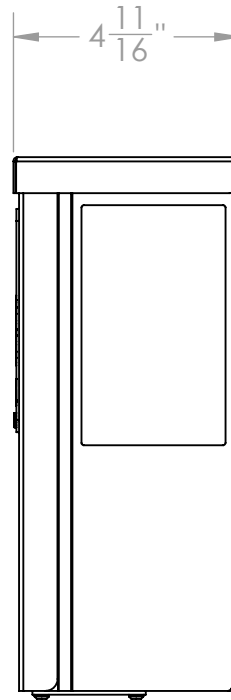
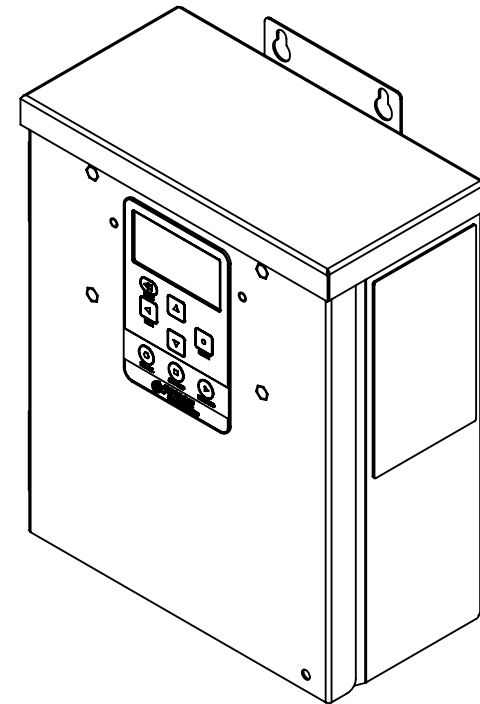


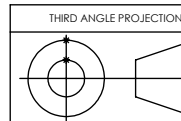
FRONT



SIDE



MODELS
ES3R
SD002
SD003



Drawing Title: <b>Essential Drive</b>	
Part Number: <b>See Model Table</b>	Revision: <b>3</b>
Material: <b>Assembly</b>	
Finish:	
Drawn by: <b>CAW</b>	Checked/Approved by: <b>AHK</b>
Scale: <b>1:4</b>	Sheet: <b>1 of 1</b>
Date: <b>5/7/2020</b>	Units: <b>IN</b>

UNLESS OTHERWISE SPECIFIED:  
 NO DIM, ±0.060" TO MODEL  
 0.XX: ±0.02" 0.XXX: ±0.010"  
 ANGLES: ±1°  
 HOLE Ø: ±0.020" TO MODEL  
 HOLE ⌀: ±0.010" TO MODEL



This drawing and any information contained within are the confidential and copyright property of Phase Technologies, LLC © and MUST NOT BE DISCLOSED, COPIED, LOANED in whole or part or used for any purpose without the written permission of Phase Technologies, LLC.

REVISION REASON:  
Release