

### Model PT-180

PHASETEC's™ digital power conditioner is designed to safely operate electrical equipment in the harshest power quality environments. With a wide input voltage range, user selected output voltages and frequency conversion capabilities, PHASETEC's™ power conditioner can operate anywhere in the world.

PHASETEC's™ digital power conditioner provides the ultimate power quality to protect the most sensitive electrical equipment. Employing double IGBT conversion, PHASETEC's™ power conditioner isolates your equipment from all but total power outage, covering 95% of adverse power events. Why pay for a UPS system if your needs are primarily power conditioning? PHASETEC's™ power conditioner can provide unsurpassed power conditioning at a fraction of the cost.



### FEATURES & BENEFITS

- Accepts a wide range of input voltage while maintaining tight voltage regulation
- Four user selected output voltages to operate a wide range of equipment
- 50 or 60 Hz input frequency and user selected output of 50 or 60 Hz allows operation anywhere in the world
- Double IGBT conversion isolates even the most sensitive equipment from dips, sags, surges, transients and harmonics
- Electronic power factor correction protects upstream equipment from harmonic distortion and complies with the IEEE519 standard for harmonics
- High momentary overload capacity for demanding applications
- Optional isolation transformer for dual voltage output and protection from common mode noise
- Low levels of electromagnetic interference

### SPECIFICATIONS

SELECTED OUTPUT VOLTAGE	OUTPUT CURRENT, STEADY STATE	RATED OUTPUT** (AT 220V INPUT)
208 V AC	80 A	16.6 KVA
220/110 V AC	80 A*	17.6 KVA
230/115 V AC	80 A*	18.4 KVA
240/120 V AC	80 A*	19.2 KVA

\*With isolation transformer, lower voltage current is double

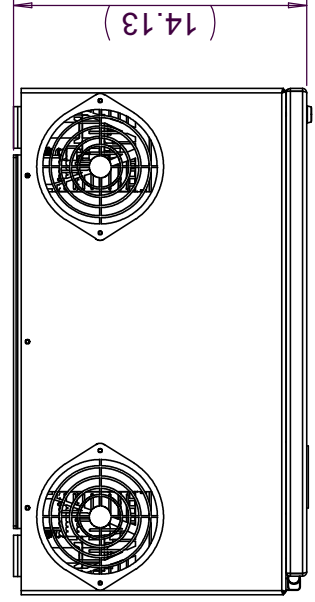
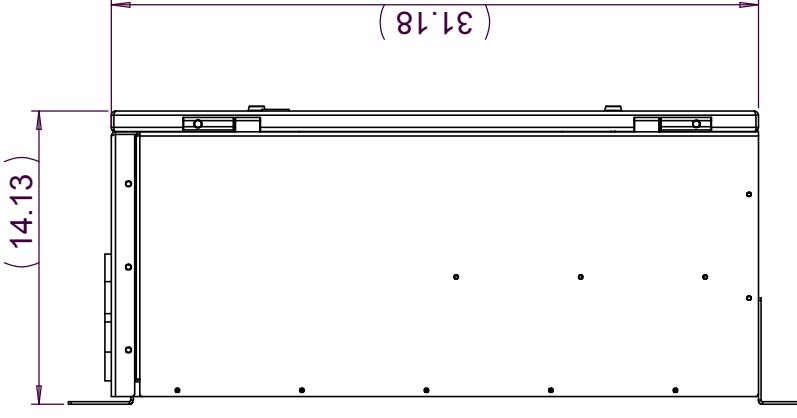
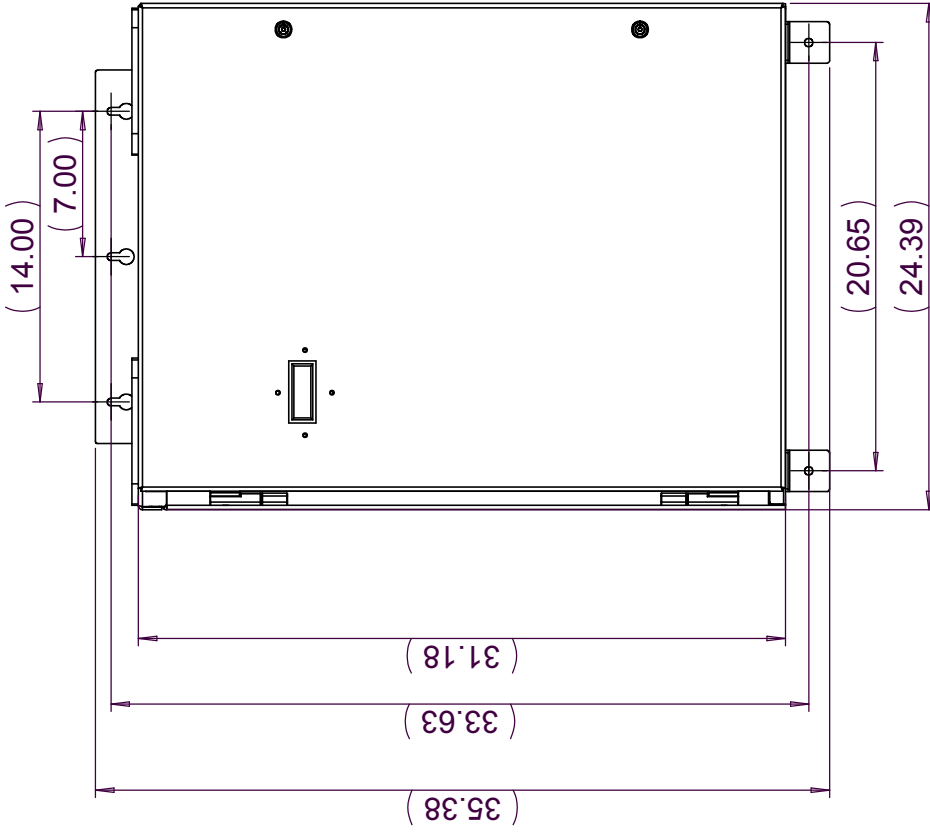
\*\*De-rate linearly as input voltage decreases

INPUT POWER	
Input frequency	50 or 60 Hz, Autosensing
Power factor	Near unity
Input voltage	170 – 277 V AC

OUTPUT POWER	
Output power characteristics	Sinusoidal, <3% total harmonic distortion
Voltage regulation	+/- 2% for entire input voltage range
Output voltage	User selected 208 V, 220 V, 230 V, 240 V
Output frequency	User selected 50 Hz or 60 Hz, +/- 0.05%
Rated current, steady state	80 A

GENERAL	
Efficiency	95% typical
Ambient temperature range	-10 – 40 C
Storage temperature	-20 – 60 C
Weight	180 lbs
Enclosure	Powder coated aluminum with EMI gasketing, wall mount, indoor Type 1
Dimensions H x W x D	31 x 24 x 13
Connections	Hard wired, terminal blocks

THE INFORMATION CONTAINED IN THIS DRAWING IS THE SOLE PROPERTY OF PHASE TECHNOLOGIES ANY REPRODUCTION IN PART OR WHOLE WITHOUT THE WRITTEN PERMISSION OF Phase Technologies LLC IS PROHIBITED.



Phase Technologies LLC

PT180E3  
V1.1

Date 04/02/2010

SHEET 1 OF 1